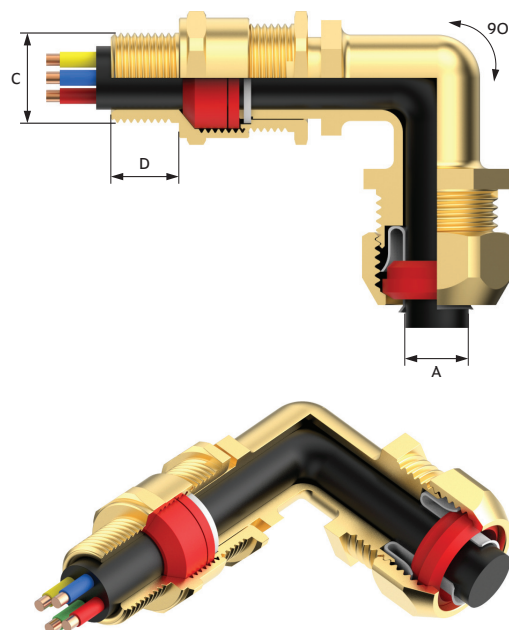


A2F Liquid Tight Elbow Conduit Gland 90°

- Size** : 16mm to 40mm & 3/8" to 1 1/4"
- Function** : Suitable for all types Liquid Tight Conduit.
- Construction** : Unlike normal conduit glands which have a two piece construction these conduit glands have a four piece construction and use an additional O-Ring to achieve IP66/IP67 protection levels. The additional components inside this gland are ferrule and clamping ring which in combination are able to provide an IP66/IP67 protection levels.
- ATEX Certificate No.** : Coming Soon
- PESO Certificate No.** : Coming Soon
- Code of Protection** : Ex db IIC Gb, Ex eb IIC Gb, Ex tb IIIC Db
- Ingress Protection** : IP66/IP67
- Operating Temp.** : -60°C to +135°C
- Material** : Nickle Plated Brass, Stainless Steel 316L
- Thread** : Metric, NPT
- Seal Material** : LSOH Silicone Seal, Nylon substrate
- Features** : Displacement Seal
- Standard Accessories** : IP Washer (Thread Seal)
- Optional Accessories** : Shroud, Lock Nut, Earth Tag, Serrated Washer, Ingress Disc



GLAND SELECTION CHART

| Size | Standard Thread Size "C" | | Optional Thread Size "C" | | Thread Length "D" | Cable Dia. "A" | | Conduit Diameter | | Suitable for Conduit Size | Ordering Suffix for Conduit Size |
|-------|--------------------------|--------|--------------------------|--------|-------------------|----------------|-------|------------------|------------|---------------------------|----------------------------------|
| | Metric | NPT | Metric | NPT | | Min. | Max. | Inner Dia. | Outer Dia. | | |
| 16 | M16 | 3/8" | - | - | 15.00 | 3.10 | 8.60 | 12.60 | 17.80 | 3/8" | MP10 |
| 20s16 | M20 | 1/2" | M25 | 3/4" | 15.00 | 3.10 | 8.60 | 12.60 | 17.80 | 3/8" | MP10 |
| 20S | M20 | 1/2" | M25 | 3/4" | 15.00 | 6.10 | 11.70 | 12.60 | 17.80 | 3/8" | MP10 |
| 20 | M20 | 1/2" | M25 | 3/4" | 15.00 | 6.50 | 13.90 | 16.00 | 21.10 | 1/2" | MP15 |
| 25 | M25 | 3/4" | M32 | 1" | 15.00 | 11.30 | 19.90 | 21.00 | 26.40 | 3/4" | MP20 |
| 32 | M32 | 1" | M40 | 1 1/4" | 15.00 | 17.00 | 26.20 | 26.50 | 33.10 | 1" | MP25 |
| 40 | M40 | 1 1/4" | M50 | 1 1/2" | 15.00 | 23.60 | 32.10 | 35.10 | 41.80 | 1 1/4" | MP32 |

PRODUCT CODE FOR ORDERING PURPOSE

| Size | Type | Material | Thread Type | Shroud Type | Accessories | Size |
|------|--------|-------------------|--------------------|----------------|-------------------|---------------|
| 16 | A2FLTE | Brass-1 | Standard Metric-11 | PVC Shroud-PS | Lock Nut-5 | MP10, MP15... |
| | | Stainless Steel-2 | Standard NPT-12 | LSF Shroud-LS | IP Washer-6 | |
| | | Nickel Plated-3 | Optional Metric-16 | LSOH Shroud-SL | Serrated Washer-7 | |
| | | | Optional NPT-17 | PCP Shroud-PC | Ingress Disc-8 | |
| | | | | | Earth Tag-9 | |

ORDERING INFORMATION

Code: 16A2FLTE31PS569MP10
 A2FLTE-M16-MP10 Nickle Plated Liquid Tight Straight Conduit Gland Kit

16=Gland Size, A2FLTE=Gland Type, 3= With Nickle Plated Material, 11=With Standard Metric Thread, PS= With PVC Shroud, 5=With Lock Nut, 6=With IP Washer, 9=With Earthing Tag, MP10 = Conduit Size