

**A2F Liquid Tight Elbow & Angle Conduit Gland with Multi Hole Seal**

**Size** : 16mm to 32mm & 3/8" to 1"

**Function** : Suitable for all types Liquid Tight Conduit.

**Construction** : Unlike normal conduit glands which have a two piece construction these conduit glands have a four piece construction and use an additional O-Ring to achieve IP 67 protection levels. The additional components inside this gland are ferrule and clamping ring which in combination are able to provide an IP66/IP67 protection levels.

**ATEX Certificate No.** : Coming Soon

**PESO Certificate No.** : Coming Soon

**Code of Protection** : Ex db IIC Gb, Ex eb IIC Gb, Ex tb IIIC Db

**Ingress Protection** : IP66/IP67

**Operating Temp.** : -60°C to +135°C

**Material** : Nickle Plated Brass, Stainless Steel 316L

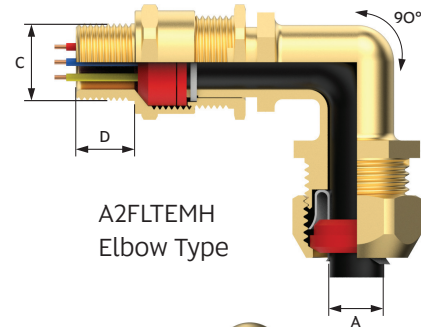
**Thread** : Metric, NPT

**Seal Material** : LSOH Silicone Seal, Nylon substrate

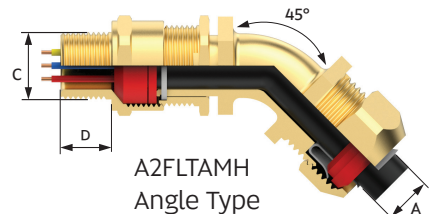
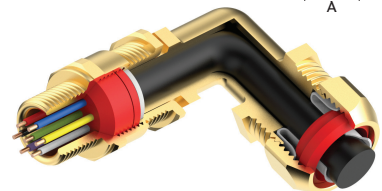
**Features** : Displacement Seal

**Standard Accessories** : IP Washer (Thread Seal )

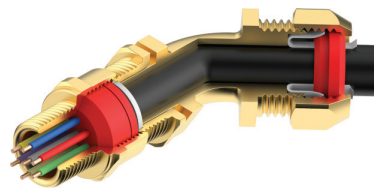
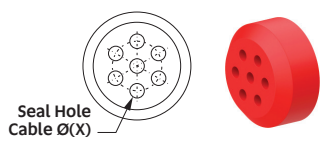
**Optional Accessories** : Shroud, Lock Nut, Earth Tag, Serrated Washer, Ingress Disc



A2FLTEMH Elbow Type



A2FLTAMH Angle Type



**GLAND SELECTION CHART**

Size	Standard Thread Size "C"		Optional Thread		Thread Length "D"	Cable Dia. "A"		Multi Hole Seal Detail			Suitable for Conduit Size	Ordering Suffix for Conduit Size
	Metric	NPT/BSP	Metric	NPT/BSP		Min.	Max.	Seal Hole Cable Ø (X)	Number of Holes	Ordering Suffix for Seal		
16	16	1/2"	25	3/4"	15.00	3.10	8.60	1.5	1 to 6	A	3/8"	MP10
	16	1/2"	25	3/4"	15.00	3.10	8.60	2.0	1 to 6	B	3/8"	MP10
20s*	20	1/2"	25	3/4"	15.00	6.20	1.70	3.7	1 to 2	C	3/8"	MP10
20	20	1/2"	25	3/4"	15.00	6.50	13.90	2.5	1 to 7	A	1/2"	MP15
	20	1/2"	25	3/4"	15.00	6.50	13.90	3.0	1 to 7	B	1/2"	MP15
	20	1/2"	25	3/4"	15.00	6.50	13.90	3.6	1 to 7	C	1/2"	MP15
	20	1/2"	25	3/4"	15.00	6.50	13.90	4.0	1 to 7	D	1/2"	MP15
	20	1/2"	25	3/4"	15.00	6.50	13.90	4.7	1 to 2	E	1/2"	MP15
25	25	3/4"	32	1"	15.00	11.30	19.90	2.5	1 to 7	A	3/4"	MP20
	25	3/4"	32	1"	15.00	11.30	19.90	3.0	1 to 7	B	3/4"	MP20
	25	3/4"	32	1"	15.00	11.30	19.90	3.6	1 to 7	C	3/4"	MP20
	25	3/4"	32	1"	15.00	11.30	19.90	4.0	1 to 7	D	3/4"	MP20
32	32	1"	40	1 1/4"	15.00	17.00	26.20	2.5	1 to 7	A	1"	MP25
	32	1"	40	1 1/4"	15.00	17.00	26.20	3.0	1 to 7	B	1"	MP25
	32	1"	40	1 1/4"	15.00	17.00	26.20	3.6	1 to 7	C	1"	MP25
	32	1"	40	1 1/4"	15.00	17.00	26.20	4.0	1 to 7	D	1"	MP25

Note : 20s\* size Specially designed for Duplex and Simple Winding Resistance Temperature Detector (RTD), Bearing Temperature Detector (BTD).

**PRODUCT CODE FOR ORDERING PURPOSE**

Size	Type	Material	Thread Type	Shroud Type	Accessories	Conduit Size	Seal Type	Seal with Holes
20	A2FLTEMH	Brass-1	Standard Metric-11	PVC Shroud-PS	Lock Nut-5	MP10	A	Between 1 to 7. (Respectively According to Sizes*)
	A2FLTAMH	Stainless Steel-2	Standard NPT-12	LSF Shroud-LS	IP Washer-6	MP15	B	
		Nickle Plated-3	Optional Metric-16	LSOH Shroud-SL	Serrated Washer-7	MP20	C	
			Optional NPT-17	PCP Shroud-PC	Ingress Disc-8	MP25	D	
					Earth Tag-9		E	

**ORDERING INFORMATION**

**Code:** 20A2FLTEMH311PS569MP10A4

A2FLTEMH-20-MP10 Nickle Plated Liquid Tight Elbow Conduit Gland Kit with seal included four holes of 2.5mm Dia.

20 =Gland Size, A2FLTEMH = Gland Type, 3 =With Nickle Plated Material  
 11=With Standard Metric Thread, PS= With PVC Shroud,  
 5=With Lock Nut, 6=With IP Washer, 9=With Earthing Tag,  
 MP10 = Conduit Size, A=Ordering suffix for seal type, 4=Number of Holes