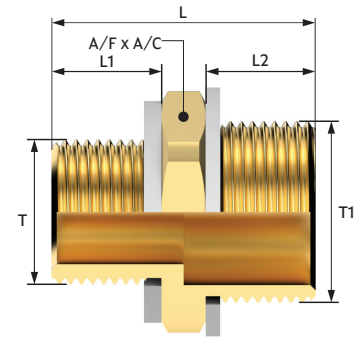
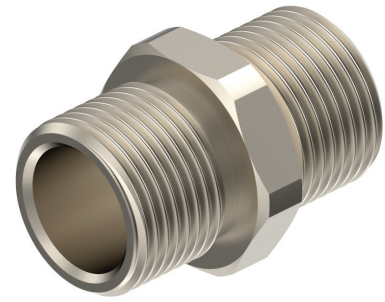


### Adaptor Nipple

**Size** : 16mm to 100mm & 3/8" to 3 1/2" NPT/BSP  
**Standard** : EN IEC 60079-0:2018, EN/IEC 60079-1:2014 EN IEC 60079-7:2015+A1:2018, EN/IEC 60079-31:2014/2013  
**Feature** : We offer a range of adaptors Nipple for industrial and hazardous area application which provide effectiveness connection between cable entry devices and equipment having dissimilar thread. Adaptors are used where the thread size of the cable gland or connection device is larger than, or of an equivalent size, to the entry thread of the enclosure. Converts Male threads to Male threads. Converts mismatching threads to the required thread.  
**IECEX Certificate No.** : IECEX ITS 16.0041X  
**ATEX Certificate No.** : ETL22ATEX0109X  
**EAC Certificate No.** : RU C-IN.Ж58.B.03310/22  
**PESO Certificate No.** : P568411/1  
**CIMFR Certificate No.:** CMF 19 INEX 0006  
**Code of Protection** : Ex db IIC Gb, Ex eb IIC Gb, Ex tb IIC Db  
**Area Classification** : Zone 1 of Gas Group IIB/IIC  
**Ingress Protection** : IP66/67 as per IEC 60529.  
**Operating Temp.** : -60°C to +135°C  
**Material** : Brass CW614N/CW617N/EN12165, SS316L  
**Thread** : Metric, NPT, BSP & ET



#### ADAPTOR NIPPLE

#### METRIC TO METRIC

Code	Size	A/F	A/C	L1	L2	L	T1	T2
AN-16	M16	20.00	22.00	15.00	15.00	36.00	M16x1.5	M16x1.5
AN-20	M20	24.00	26.20	15.00	15.00	36.00	M20x1.5	M20x1.5
AN-25	M25	30.00	33.00	15.00	15.00	36.00	M25x1.5	M25x1.5
AN-32	M32	36.00	39.20	15.00	15.00	36.00	M32x1.5	M32x1.5
AN-40	M40	46.00	50.60	15.00	15.00	36.00	M40x1.5	M40x1.5
AN-50	M50	55.00	60.00	15.00	15.00	38.00	M50x1.5	M50x1.5
AN-63	M63	68.00	72.00	15.00	15.00	38.00	M63x1.5	M63x1.5
AN-75	M75	80.00	85.00	15.00	15.00	38.00	M75x1.5	M75x1.5

#### ADAPTOR NIPPLE

#### NPT TO NPT

Code	Size	A/F	A/C	L1	L2	L	T1	T2
AN-38N	3/8 NPT	20.00	22.00	15.00	15.00	36.00	3/8 NPT	3/8 NPT
AN-12N	1/2 NPT	24.00	26.20	16.00	16.00	38.00	1/2 NPT	1/2 NPT
AN-34N	3/4 NPT	30.00	33.00	16.00	16.00	37.00	3/4 NPT	3/4 NPT
AN-1N	1 NPT	36.00	39.20	19.00	19.00	44.00	1 NPT	1 NPT
AN-114N	1 1/4 NPT	46.00	50.60	19.00	19.00	44.00	1 1/4 NPT	1 1/4 NPT
AN-112N	1 1/2 NPT	55.00	60.00	21.00	21.00	50.00	1 1/2 NPT	1 1/2 NPT
AN-2N	2 NPT	68.00	72.00	21.00	21.00	50.00	2 NPT	2 NPT
AN-212N	2 1/2 NPT	80.00	85.00	30.00	30.00	68.00	2 1/2 NPT	2 1/2 NPT

#### ADAPTOR NIPPLE

#### BSP(G) TO BSP(G)

Code	Size	A/F	A/C	L1	L2	L	T1	T2
AN-38G	3/8 G	20.00	22.00	15.00	15.00	36.00	3/8 G	3/8 G
AN-12G	1/2 G	24.00	26.20	15.00	15.00	36.00	1/2 G	1/2 G
AN-34G	3/4 G	30.00	33.00	15.00	15.00	36.00	3/4 G	3/4 G
AN-1G	1 G	36.00	39.20	18.00	18.00	36.00	1 G	1 G
AN-114G	1 1/4 G	46.00	50.60	18.00	18.00	36.00	1 1/4 G	1 1/4 G
AN-112G	1 1/2 G	55.00	60.00	18.00	18.00	38.00	1 1/2 G	1 1/2 G
AN-2G	2 G	68.00	72.00	18.00	18.00	38.00	2 G	2 G
AN-212G	2 1/2 G	80.00	85.00	18.00	18.00	38.00	2 1/2 G	2 1/2 G

#### ADAPTOR NIPPLE

#### METRIC TO NPT

Code	Size	A/F	A/C	L1	L2	L	T1	T2
AN-16-38N	M16-3/8" NPT	24.00	26.20	15.00	16.00	37.00	M16x1.5	3/8" NPT
AN-16-12N	M16-1/2" NPT	24.00	26.20	15.00	16.00	37.00	M16x1.5	1/2" NPT
AN-20-12N	M20-1/2" NPT	24.00	26.20	15.00	16.00	37.00	M20x1.5	1/2" NPT
AN-20-34N	M20-3/4" NPT	30.00	33.00	15.00	16.00	37.00	M20x1.5	3/4" NPT



**ADAPTOR NIPPLE**

**METRIC TO NPT**

Code	Size	A/F	A/C	L1	L2	L	T1	T2
AN-25-34N	M25-¾" NPT	30.00	33.00	15.00	16.00	37.00	M25x1.5	¾" NPT
AN-25-1N	M25-1" NPT	36.00	39.20	15.00	19.00	40.00	M25x1.5	1" NPT
AN-32-1N	M32-1" NPT	36.00	39.20	15.00	19.00	40.00	M32x1.5	1" NPT
AN-32-114N	M32-1¼" NPT	46.00	50.60	15.00	19.00	40.00	M32x1.5	1¼" NPT
AN-40-114N	M40-1¼" NPT	46.00	50.60	15.00	19.00	40.00	M40x1.5	1¼" NPT
AN-40-112N	M40-1½" NPT	55.00	60.00	15.00	21.00	42.00	M40x1.5	1½" NPT
AN-50-112N	M50-1½" NPT	55.00	60.00	15.00	21.00	44.00	M50x1.5	1½" NPT
AN-50-2N	M50-2" NPT	68.00	72.00	15.00	21.00	44.00	M50x1.5	2" NPT
AN-63-2N	M63-2" NPT	70.00	75.00	15.00	21.00	44.00	M63x1.5	2" NPT
AN-63-212N	M63-2½" NPT	80.00	85.00	15.00	30.00	53.00	M63x1.5	2½" NPT
AN-75-212N	M75-2½" NPT	80.00	85.00	15.00	30.00	53.00	M75x1.5	2½" NPT

**ADAPTOR NIPPLE**

**METRIC TO BSP(G)**

Code	Size	A/F	A/C	L1	L2	L	T1	T2
AN-16-38G	M16-⅜"G	24.00	26.20	15.00	15.00	36.00	M16x1.5	⅜"G
AN-16-12G	M16-½"G	24.00	26.20	15.00	15.00	36.00	M16x1.5	½"G
AN-20-12G	M20-½"G	24.00	26.20	15.00	15.00	36.00	M20x1.5	½"G
AN-20-34G	M20-¾"G	30.00	33.00	15.00	15.00	36.00	M20x1.5	¾"G
AN-25-34G	M25-¾"G	30.00	33.00	15.00	15.00	36.00	M25x1.5	¾"G
AN-25-1G	M25-1"G	36.00	39.20	15.00	18.00	39.00	M25x1.5	1"G
AN-32-1G	M32-1"G	36.00	39.20	15.00	18.00	39.00	M32x1.5	1"G
AN-32-114G	M32-1¼"G	46.00	50.60	15.00	18.00	39.00	M32x1.5	1¼"G
AN-40-114G	M40-1¼"G	46.00	50.60	15.00	18.00	39.00	M40x1.5	1¼"G
AN-40-112G	M40-1½"G	55.00	60.00	15.00	18.00	39.00	M40x1.5	1½"G
AN-50-112G	M50-1½"G	55.00	60.00	15.00	18.00	41.00	M50x1.5	1½"G
AN-50-2G	M50-2"G	68.00	72.00	15.00	18.00	41.00	M50x1.5	2"G
AN-63-2G	M63-2"G	70.00	75.00	15.00	18.00	41.00	M63x1.5	2"G
AN-63-212G	M63-2½"G	80.00	85.00	15.00	18.00	41.00	M63x1.5	2½"G
AN-75-212G	M75-2½"G	80.00	85.00	15.00	18.00	41.00	M75x1.5	2½"G

**ADAPTOR NIPPLE**

**METRIC TO METRIC (REDUCING)**

Code	Size	A/F	A/C	L1	L2	L	T1	T2
AN-16-20	M16-M20	24.00	26.20	15.00	15.00	36.00	M16x1.5	M20x1.5
AN-20-25	M20-M25	30.00	33.00	15.00	15.00	36.00	M20x1.5	M25x1.5
AN-25-32	M25-M32	36.00	39.20	15.00	15.00	36.00	M25x1.5	M32x1.5
AN-32-40	M32-M40	46.00	50.60	15.00	15.00	36.00	M32x1.5	M40x1.5
AN-40-50	M40-M50	55.00	60.00	15.00	15.00	36.00	M40x1.5	M50x1.5
AN-50-63	M50-M63	68.00	73.00	15.00	15.00	38.00	M50x1.5	M63x1.5
AN-63-75	M63-M75	80.00	85.00	15.00	15.00	38.00	M63x1.5	M75x1.5

**ADAPTOR NIPPLE**

**NPT TO NPT (REDUCING)**

Code	Size	A/F	A/C	L1	L2	L	T1	T2
AN-38N-12N	⅜ NPT-½ NPT	24.00	26.20	15.00	15.00	36.00	⅜ NPT	½ NPT
AN-12N-34N	½ NPT-¾ NPT	30.00	33.00	15.00	15.00	36.00	½ NPT	¾ NPT
AN-34N-1N	¾ NPT-1 NPT	36.00	39.20	15.00	19.00	40.00	¾ NPT	1 NPT
AN-1N-114N	1 NPT-1¼ NPT	46.00	50.60	19.00	19.00	44.00	1 NPT	1¼ NPT
AN-114N-112N	1¼ NPT-1½ NPT	55.00	60.00	19.00	21.00	46.00	1¼ NPT	1½ NPT
AN-112N-2N	1½ NPT-2 NPT	68.00	73.00	21.00	21.00	50.00	1½ NPT	2 NPT
AN-2N-212N	2 NPT-2½ NPT	80.00	85.00	21.00	30.00	59.00	2 NPT	2½ NPT

**ADAPTOR NIPPLE**

**BSP TO BSP (REDUCING)**

Code	Size	A/F	A/C	L1	L2	L	T1	T2
AN-38G-12G	⅜G-½G	24.00	26.20	15.00	15.00	36.00	⅜ BSP	½ BSP
AN-12G-34G	½G-¾G	30.00	33.00	15.00	15.00	36.00	½ BSP	¾ BSP
AN-34G-1G	¾G-1G	36.00	39.20	15.00	18.00	39.00	¾ BSP	1 BSP
AN-1G-114G	1G-1¼G	46.00	50.60	18.00	18.00	42.00	1 BSP	1¼ BSP
AN-114G-112G	1¼G-1½G	55.00	60.00	18.00	18.00	42.00	1¼ BSP	1½ BSP
AN-112G-2N	1½G-2G	68.00	73.00	18.00	18.00	44.00	1½ BSP	2 BSP
AN-2N-212G	2G-2½G	80.00	85.00	18.00	18.00	44.00	2 BSP	2½ BSP



ADAPTOR NIPPLE

ET TO ET

Code	Size	A/F	A/C	L1	L2	L	T1	T2
AN-34ET	¾"ET	24.00	26.20	15.00	15.00	36.00	¾"ET	¾"ET
AN-1ET	1"ET	30.00	33.00	15.00	15.00	36.00	1"ET	1"ET
AN-1¼ET	1¼"ET	36.00	39.20	15.00	15.00	36.00	1¼"ET	1¼"ET
AN-1½ET	1½"ET	44.00	49.00	15.00	15.00	36.00	1½"ET	1½"ET
AN-2ET	2"ET	55.00	60.00	15.00	15.00	38.00	2"ET	2"ET
AN-2½ET	2½"ET	68.00	73.00	15.00	15.00	38.00	2½"ET	2½"ET
AN-3ET	3"ET	80.00	85.00	15.00	15.00	38.00	3"ET	3"ET

ADAPTOR NIPPLE

ET TO ET (REDUCING)

Code	Size	A/F	A/C	L1	L2	L	T1	T2
AN-34ET-1ET	¾"ET x 1"ET	30.00	33.00	15.00	15.00	36.00	¾"ET	1"ET
AN-1ET-1¼ET	1"ET x 1¼"ET	36.00	39.20	15.00	15.00	36.00	1"ET	1¼"ET
AN-1¼ET-1½ET	1¼"ET x 1½"ET	46.00	50.60	15.00	15.00	36.00	1¼"ET	1½"ET
AN-1½ET-2ET	1½"ET x 2"ET	55.00	60.00	15.00	15.00	36.00	1½"ET	2"ET
AN-2ET-2½ET	2"ET x 2½"ET	68.00	73.00	15.00	15.00	38.00	2"ET	2½"ET
AN-2½ET-3ET	2½"ET x 3"ET	80.00	85.00	15.00	15.00	38.00	2½"ET	3"ET

ADAPTOR NIPPLE

METRIC TO ET

Code	Size	A/F	A/C	L1	L2	L	T1	T2
AN-20-34ET	M20 x ¾"ET	24.00	26.20	15.00	15.00	36.00	M20x1.5	¾"ET
AN-25-1ET	M25 x 1"ET	30.00	33.00	15.00	15.00	36.00	M25x1.5	1"ET
AN-32-1¼ET	M32 x 1¼"ET	36.00	39.20	15.00	15.00	39.00	M32x1.5	1¼"ET
AN-40-1½ET	M40 x 1½"ET	46.00	50.60	15.00	15.00	39.00	M40x1.5	1½"ET
AN-50-2ET	M50 x 2"ET	55.00	60.00	15.00	15.00	41.00	M50x1.5	2"ET
AN-63-2½ET	M63 x 2½"ET	70.00	75.00	15.00	15.00	41.00	M63x1.5	2½"ET
AN-75-3ET	M75 x 3"ET	80.00	85.00	15.00	15.00	41.00	M75x1.5	3"ET

ADAPTOR NIPPLE

BSP(G) TO ET

Code	Size	A/F	A/C	L1	L2	L	T1	T2
AN-12G-34ET	½" BSP x ¾"ET	24.00	26.20	15.00	15.00	36.00	½" BSP	¾" ET
AN-34G-1ET	¾" BSP x 1"ET	30.00	33.00	15.00	15.00	36.00	¾" BSP	1" ET
AN-1G-1¼ET	1" BSP x 1¼"ET	36.00	39.20	18.00	15.00	39.00	1" BSP	1¼" ET
AN-1¼G-1½ET	1¼" BSP x 1½"ET	46.00	50.60	18.00	15.00	39.00	1¼" BSP	1½" ET
AN-1½G-2ET	1½" BSP x 2"ET	55.00	60.00	18.00	15.00	41.00	1½" BSP	2" ET
AN-2G-2½ET	2" BSP x 2½"ET	70.00	75.00	18.00	15.00	41.00	2" BSP	2½" ET
AN-2½G-3ET	2½" BSP x 3"ET	80.00	85.00	18.00	15.00	41.00	2½" BSP	3" ET

PRODUCT CODE FOR ORDERING PURPOSE

Type	Male Thread Size (T)	Female Thread Size (T1)	Material	Accessories
AN	Metric... e.g. 20...(for M20)	Metric... e.g. 20...(for M20)	Brass-1	Lock Nut-5
	NPT (N)... e.g. 12N...(for ½ NPT)	NPT (N)... e.g. 12N...(for ½ NPT)	Stainless Steel-2	IP Washer-6
	BSP (G)... e.g. 12G...(for ½ BSP)	BSP (G)... e.g. 12G...(for ½ BSP)	Nickel Plated-3	
	ET... e.g. 34ET...(for ¾ ET)	ET... e.g. 34ET...(for ¾ ET)		

ORDERING INFORMATION

**Code:** AN-16-156 / AN-16-12N-156

- M16xM16 Brass Adaptor Nipple with Nut & Seal
- M16x½" NPT Brass Adaptor Nipple with Nut & Seal

AN =Adaptor Nipple, 16 =Male Thread Size (M16),  
12N=Male Thread Size (½ NPT), 1= With Brass Material,  
5=with Lock Nut, 6=with IP Washer