


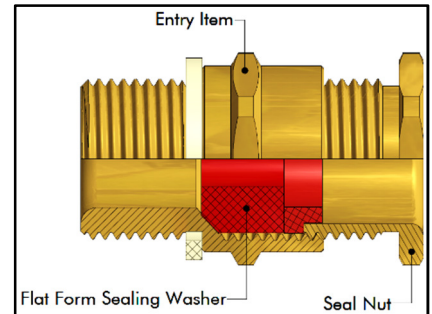


EU DECLARATION OF CONFORMITY

1. Document Sr. No :
2. Client :
3. P. O No. :
4. Product/product type :-
 Product Name : **A2FFF Flameproof Ex d and Ex e Cable Gland**
 Product Type : **Single Compression for all types of Flat-Form Unarmoured & Braid Armour Cables**
5. Name and address of the manufacturer and, where applicable, his authorized representative:
 Manufacturer: **AKSHAR BRASS INDUSTRIES**, Plot No 46,47,50,51, Survey No. 246, 245 & 238 at Naghedi Industrial Area, Jamnagar - 361006, Gujarat, India
6. This declaration of conformity is issued under the sole responsibility of the manufacturer.
7. Object of the declaration (identification of product allowing traceability; it may, where necessary for the identification of the product, include an image):

 20sA2FFF-M20  II 2 GD  2903 Ex db IIC Gb, Ex eb IIC Gb Ex tb IIIC Db IP66/67 -60°C to +135°C ETL22ATEX0109X, IECEx ITS 16.0041X RU C-IN.Ж58.B.03310/22, P568411/1
--



8. The object of the declaration described above is in conformity with the relevant Union harmonization legislation: **Directive 2014/34/EU of the European Parliament and of the Council, dated 26 February 2014.**
9. References to the relevant harmonized standards used or references to the other technical specifications in relation to which conformity is declared:
 EN IEC 60079-0:2018
 EN/IEC 60079-1:2014
 EN/IEC 60079-31:2014/2013
10. Intertek Testing Services NA Ltd., 14920-135 Avenue, Edmonton, AB, T5V 1R9, Canada, Notified Body No. 2903, performed Module B +D and issued EU type examination Certificate No.: ETL22ATEX0109X, IECEx ITS16.0041X and Production Quality Assurance Notification No.: ETL21ATEXQ0016

Signed for and on behalf of:



Authorized Signatory
 Invoice No. :
 Dated :
 Place : Jamnagar

AKSHAR BRASS INDUSTRIES