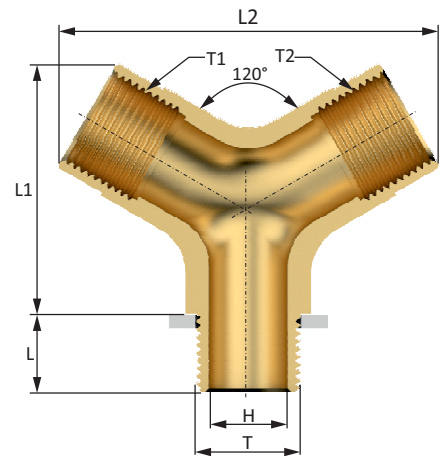


### Dual Entry Y Adaptor

<b>Size</b>	: 16mm to 32mm & 3/8" to 1"
<b>Standard</b>	: EN IEC 60079-0:2018 EN/IEC 60079-1:2014 EN/IEC 60079-31:2014/2013
<b>Features</b>	: - Provides an opportunity for two entries. - As Standard one male & two female entries. - Supplied with male or female threads on request - Protects cables from unnecessary bending stress. - General purpose / industrial version available - Can be supplied with thread conversion on request
<b>CIMFR Certificate No.</b>	: Coming Soon
<b>PESO Certificate No.</b>	: Coming Soon
<b>Ingress Protection</b>	: IP66, IP67
<b>Code of Protection</b>	: Ex db IIC Gb, Ex eb IIC Gb, Ex tb IIIC Db
<b>Material</b>	: Brass, Nickel Plated Brass, SS & Aluminium
<b>Thread</b>	: Metric, NPT, ET
<b>Operating Temp.</b>	: -60°C to +200°C
<b>Accessories</b>	: Lock Nut, IP Washer



### SELECTION CHART

Code	Size	Standard Thread				Optional Thread		Hole Dia. H	Male Thread Length "L"		Height L1	Width L2
		Male Thread "T"		Female Thread "T1" & "T2"		Female Thread "T1" & "T2"			Metric	NPT		
		Metric	NPT	Metric	NPT	Metric	NPT					
16CYAD	M16	M16	3/8" NPT	M20	1/2" NPT	M20	1/2" NPT	11.00	15.00	15.00	48.00	73.00
20CYAD	M20	M20	1/2" NPT	M20	1/2" NPT	M25	3/4" NPT	14.00	15.00	16.00	48.00	73.00
25CYAD	M25	M25	3/4" NPT	M25	3/4" NPT	M32	1" NPT	20.00	15.00	16.00	48.00	76.00
32CYAD	M32	M32	1" NPT	M32	1" NPT	M40	1 1/4" NPT	26.00	15.00	19.00	56.00	92.00

Dimensions are in mm

### PRODUCT CODE FOR ORDERING PURPOSE

Size	Material	Male Thread Type "T"	Female Thread Type "T1"	Accessories	
20CYAD	Brass -1	Standard Metric-11	Standard Metric-11	Lock Nut -5	
	Stainless Steel -2	Standard NPT-12	Standard NPT-12	IP Washer -6	
	Nickel Plated -3			Optional Metric-16	
				Optional NPT-17	

### ORDERING INFORMATION

**Item Code :** 20CYAD31111 56  
**Code Meaning :** M20(M)-M20(F) BNP Y Adaptor with Nut & IP washer

20CYAD=Item Code,  
3= With Nickel Plated Brass Material, 11=With Standard Metric Thread,  
5=Lock Nut, 6=IP Washer