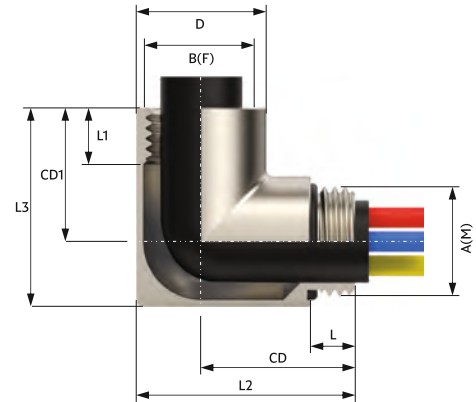
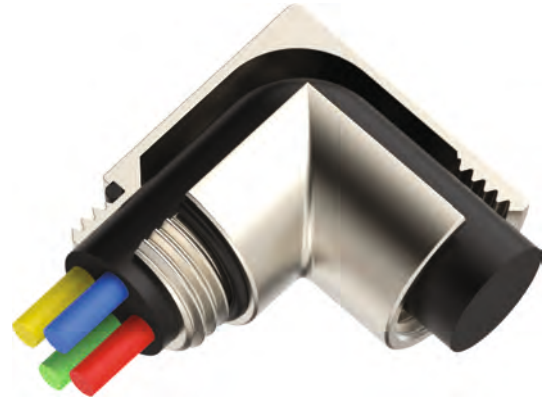


Elbow 90°

- Size** : 12mm to 50mm
- Function** : We offer a range of Elbow for industrial and hazardous area application which provide effectiveness connection between cable entry devices and equipment having dis-similar thread. Elbows are used where the thread size of the cable gland or connection device is larger than, or of an equivalent size, to the entry thread of the enclosure.
- Ingress Protection** : IP68 as per EN 60529.
- Operating Temp.** : -60°C to +125°C
- Material** : Brass Nickle Plated
- Thread** : Metric (EN50262)



GLAND SELECTION CHART

Item Code	Thread		Body Dia. D	Thread Length L	Thread Length L1	Total Length L2	Total Length L3	Centre Distance CD	Centre Distance CD 1	Pack Pcs
	A (M)	B (F)								
CE9M-12-12	M12x1.5	M12x1.5	15.00	5.00	7.00	25.00	25.00	18.00	17.50	50.00
CE9M-16-16	M16x1.5	M16x1.5	19.00	6.50	7.00	32.50	29.00	22.50	19.50	50.00
CE9M-20-20	M20x1.5	M20x1.5	24.00	6.00	10.00	37.00	37.00	25.00	25.00	50.00
CE9M-25-25	M25x1.5	M25x1.5	29.00	7.50	10.00	44.50	42.00	30.50	27.50	25.00
CE9M-32-32	M32x1.5	M32x1.5	36.00	8.50	11.00	52.50	50.00	34.50	32.00	25.00
CE9M-40-40	M40x1.5	M40x1.5	46.00	9.50	17.00	66.50	67.00	43.50	44.00	10.00
CE9M-50-50	M50x1.5	M50x1.5	56.00	9.00	17.00	78.00	77.00	50.00	49.00	10.00

ORDERING INFORMATION

Item Code : CE9M-12-12
Item Name : M12 x M12 Elbow 90°

- Elbow will be supplied with Brass Nickle Plated Material
- Assembled with O-Ring
- Also available as per customer requirement