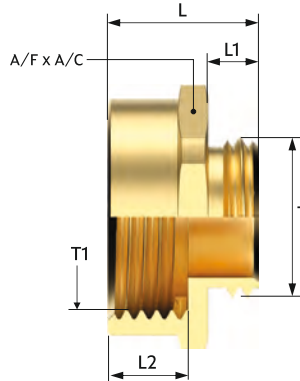


Hex Adaptor

CABTEK offer a range of Adaptor for industrial area application which provide effectiveness connection between cable entry devices and equipment having dis-similar thread. Adaptors are used where the thread size of the cable gland or connection device is larger than, or of an equivalent size, to the entry thread of the enclosure.



METRIC TO METRIC ADAPTOR

Size	A/F	A/C	L	L1	L2	T	T1
CHA-6-8	11.00	-	13.50	5.00	6.50	M6x1	M8x1.25
CHA-6-10	13.00	-	13.50	5.00	6.50	M6x1	M10x1.5
CHA-8-10	13.00	-	14.00	5.00	7.00	M8x1.25	M10x1.5
CHA-8-12	15.00	-	14.00	5.00	7.00	M8x1.25	M12x1.5
CHA-10-12	15.00	-	14.00	5.00	7.00	M10x1.5	M12x1.5
CHA-10-16	18.00	-	14.00	5.00	7.00	M10x1.5	M16x1.5
CHA-12-16	18.00	-	14.00	5.00	7.00	M12x1.5	M16x1.5
CHA-12-20	24.00	26.20	15.00	5.00	8.00	M12x1.5	M20x1.5
CHA-16-20	24.00	26.20	15.00	5.00	8.00	M16x1.5	M20x1.5
CHA-20-25	30.00	33.00	17.50	6.00	9.50	M20x1.5	M25x1.5
CHA-20-32	36.00	39.20	21.00	7.00	12.00	M20x1.5	M32x1.5
CHA-25-32	36.00	39.20	21.00	7.00	12.00	M25x1.5	M32x1.5
CHA-32-40	46.00	50.60	22.00	8.00	12.00	M32x1.5	M40x1.5
CHA-40-50	55.00	60.00	24.00	8.00	14.00	M40x1.5	M50x1.5
CHA-50-63	70.00	75.00	26.00	9.00	15.00	M50x1.5	M63x1.5
CHA-63-75	80.00	85.00	28.00	10.00	16.00	M63x1.5	M75x1.5

PG TO METRIC ADAPTOR

Size	A/F	A/C	L	L1	L2	T	T1
CHA-PG9-20	24.00	26.20	14.00	5.00	6.00	PG9	M20x1.5
CHA-PG11-20	24.00	26.20	15.00	5.00	7.00	PG11	M20x1.5
CHA-PG13-20	24.00	26.20	15.50	6.00	7.50	PG13.5	M20x1.5
CHA-PG13-25	30.00	33.00	19.50	7.00	8.00	PG13.5	M25x1.5
CHA-PG16-25	30.00	33.00	22.00	8.00	8.50	PG16	M25x1.5
CHA-PG21-32	36.00	39.20	22.50	8.00	9.00	PG21	M32x1.5
CHA-PG29-40	46.00	50.60	23.50	9.00	9.50	PG29	M40x1.5
CHA-PG36-50	55.00	60.00	23.50	9.00	9.50	PG36	M50x1.5
CHA-PG42-63	70.00	75.00	24.00	9.50	9.50	PG42	M63x1.5
CHA-PG48-63	70.00	75.00	24.00	9.50	9.50	PG48	M63x1.5

PRODUCT CODE FOR ORDERING PURPOSE

Size	Material
CHA-6-8	Brass-1
	Stainless Steel-2
	Brass Nickel Plated-3

ORDERING INFORMATION

Item Code: CHA-6-8-3
M6 (M) x M8 (F) BNP Hex Adaptor