

Installation Manual for Breather Drain Plug

Accessory type Breather Drain Plug for Ex e applications

Please read all instructions carefully before beginning the installation

CABTEK Breather Drain Plug provide the explosion proof safety required by a hazardous area environment

Breather Drain Plug are made of Brass CW614N/SS 316L assembled with Sintered Filter, IP Washer, Lock Nut & Screw.

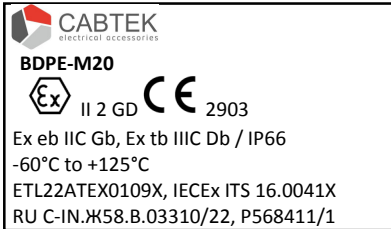
Material Compatibility under chemical corrosion or attack by aggressive substance must be considered before installation.

Area Classification - Gas Group IIA/IIB/IIC and for use in Dust (IIIC) for Zone 21 and 22 as per EN/IEC 60079-31 for -60°C to +125°C.

Degree of protection IP 66 as per EN / IEC 60529 when used with IP Washer

Standards Applied: EN IEC 60079-0:2018
EN/IEC 60079-31:2014/2013

Ex marking on Breather Drain Plug:



Installation Guide:

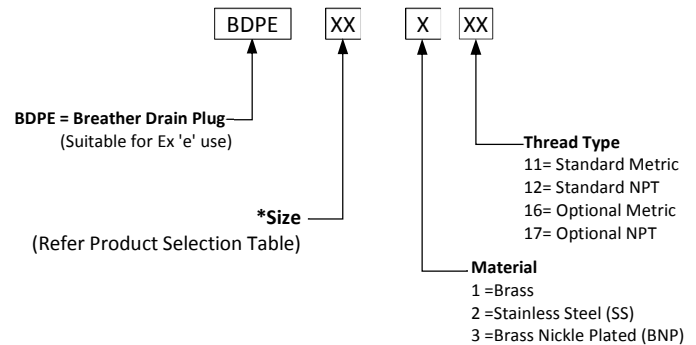
1. Installation should only be performed by a competent person using the correct torque tools. Spanners should be used for tightening. Read all instructions before beginning installation
2. Installation should not be carried out under live conditions.
3. The female thread in the enclosure must comply with relevant standard and do not damage threads on assemblies.
4. Any modification which differs from the condition as delivered is not permitted.

Special Condition of Safe Use:

1. The breather drain plugs shall be used with the supplied sealing washers and the installer shall ensure that the surface of the enclosure against which the sealing gasket seal are in good condition.
2. The breather/drains are only suitable for bottom entry application within associated Ex eb and Ex tb enclosures.

ORDERING DETAILS:

Product Code for Ordering Purpose



For example:

BDPE-20-31156 = M20 BNP Ex e Breather Drain Plug with Nut, Seal
BDPE-20-31256 = 1/2" NPT BNP Ex e Breather Drain Plug with Nut, Seal

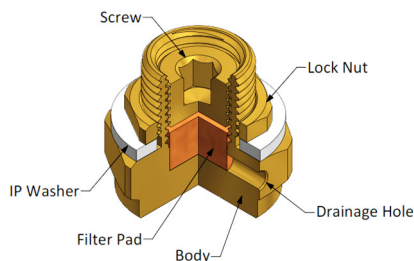
For Breather Drain Plug technical details like Size, thread and torque details given as below.

Product Selection Table

Product *Size	Thread Size (T)				Thread Length (D)		Across Flat (A/F)	Across Corner (A/C)	Torque (Nm)
	Metric	NPT	Optional Metric	Optional NPT	Metric	NPT			
16	M16×1.5	3/8" NPT	M20×1.5	1/2" NPT	15.00	20.00	20.00	22.00	7.00
20	M20×1.5	1/2" NPT	M25×1.5	3/4" NPT	15.00	20.00	24.00	26.20	7.00
25	M25×1.5	3/4" NPT	M32×1.5	1" NPT	15.00	20.00	30.00	33.00	10.00

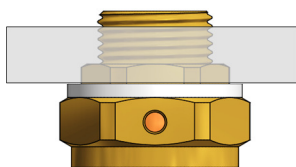
ACCESSORY COMPONENTS - It is not necessary to dismantled the breather drain any further than illustrated below

BDPE (For Ex e Application)



Screw the breather drain body into the equipment and tighten with a spanner. Do not disturb the threaded Screw.

This insert forms a protective flamepath and is also the drain path for any water that may get into the equipment.



Warning:

Please study carefully these instructions before installation. These should not be used in any application other than those mentioned here, unless CABTEK states in writing that the product is suitable for such application. CABTEK will not take any responsibility for any damage, injury or other consequential loss caused where the plugs are not installed or used according to installation instructions. This leaflet is not intended to advice on the selection of plugs. Installation must be carried out by a competent electrician, skilled in cable gland installation. Installation should not be carried out under live conditions.

Customer Care:

For any more information regarding please send your query to us by mail or telephone number

Tel.: + 91-76006 16887, 94277 71205

Email: info@aksharbrassind.com,

Website: www.aksharbrassind.com