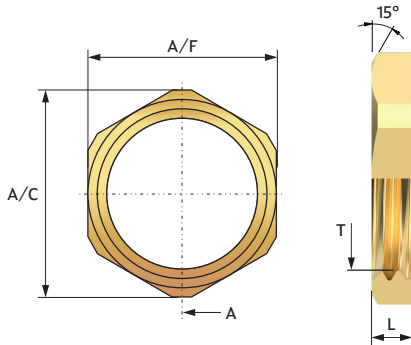


Lock Nut

Lock Nut is generally used to secure a cable gland, reducer, and adaptor in position at the equipment and enclosure. Lock Nuts are widely used in electrical installation due to low corrosion effect.



METRIC LOCK NUT

| Brass Code | Nickel Plated Brass Code | Steel Code | Size | A/F | A/C | L | T |
|------------|--------------------------|------------|------|--------|--------|------|----------|
| CBMLN16 | CBNMLN16 | CSMLN16 | M16 | 20.00 | 22.00 | 2.50 | M16×1.5 |
| CBMLN20 | CBNMLN20 | CSMLN20 | M20 | 24.00 | 26.20 | 3.50 | M20×1.5 |
| CBMLN25 | CBNMLN25 | CSMLN25 | M25 | 29.00 | 31.00 | 3.50 | M25×1.5 |
| CBMLN32 | CBNMLN32 | CSMLN32 | M32 | 36.00 | 39.20 | 3.50 | M32×1.5 |
| CBMLN40 | CBNMLN40 | CSMLN40 | M40 | 45.00 | 50.00 | 4.00 | M40×1.5 |
| CBMLN50 | CBNMLN50 | CSMLN50 | M50 | 55.00 | 60.00 | 4.25 | M50×1.5 |
| CBMLN63 | CBNMLN63 | CSMLN63 | M63 | 68.00 | 73.00 | 4.75 | M63×1.5 |
| CBMLN75 | CBNMLN75 | CSMLN75 | M75 | 81.00 | 88.00 | 4.75 | M75×1.5 |
| CBMLN82 | CBNMLN82 | CSMLN82 | M82 | 90.00 | 98.00 | 6.00 | M82×2 |
| CBMLN90 | CBNMLN90 | CSMLN90 | M90 | 98.00 | 108.00 | 6.00 | M90×2.0 |
| CBMLN100 | CBNMLN100 | CSMLN100 | M100 | 115.00 | 129.00 | 8.00 | M100×2.0 |
| CBMLN110 | CBNMLN110 | CSMLN110 | M110 | 122.00 | 135.00 | 7.50 | M110×2.0 |
| CBMLN115 | CBNMLN115 | CSMLN115 | M115 | 130.00 | 145.00 | 8.00 | M115×2.0 |
| CBMLN125 | CBNMLN125 | CSMLN125 | M125 | 138.00 | 149.00 | 7.50 | M125×2.0 |
| CBMLN130 | CBNMLN130 | CSMLN130 | M130 | 145.00 | 165.00 | 8.00 | M130×2.0 |

NPT LOCK NUT

| Brass Code | Nickel Plated Brass Code | Steel Code | Size | A/F | A/C | L | T |
|------------|--------------------------|------------|------|--------|--------|------|---------|
| CBNLN12 | CBNNLN12 | CSNLN12 | ½" | 24.00 | 26.20 | 4.25 | ½" NPS |
| CBNLN34 | CBNNLN34 | CSNLN34 | ¾" | 30.50 | 33.00 | 4.25 | ¾" NPS |
| CBNLN100 | CBNNLN100 | CSNLN100 | 1" | 37.00 | 41.00 | 4.50 | 1" NPS |
| CBNLN114 | CBNNLN114 | CSNLN114 | 1¼" | 47.50 | 51.50 | 4.50 | 1¼" NPS |
| CBNLN112 | CBNNLN112 | CSNLN112 | 1½" | 52.50 | 58.00 | 4.75 | 1½" NPS |
| CBNLN200 | CBNNLN200 | CSNLN200 | 2" | 65.00 | 70.00 | 4.75 | 2" NPS |
| CBNLN212 | CBNNLN212 | CSNLN212 | 2½" | 80.00 | 88.00 | 8.00 | 2½" NPS |
| CBNLN300 | CBNNLN300 | CSNLN300 | 3" | 95.00 | 100.00 | 8.00 | 3" NPS |
| CBNLN312 | CBNNLN312 | CSNLN312 | 3½" | 110.00 | 120.00 | 9.50 | 3½" NPS |
| CBNLN400 | CBNNLN400 | CSNLN400 | 4" | 122.00 | 135.00 | 9.50 | 4" NPS |

CONTINUE...



BSP LOCK NUT

| Brass Code | Nickel Plated Brass Code | Steel Code | Size | A/F | A/C | L | T |
|------------|--------------------------|------------|------|--------|--------|------|------|
| CBGLN12 | CBNGLN12 | CSGLN12 | ½" | 23.00 | 25.25 | 2.75 | ½"G |
| CBGLN34 | CBNGLN34 | CSGLN34 | ¾" | 29.00 | 31.00 | 3.25 | ¾"G |
| CBGLN100 | CBNGLN100 | CSGLN100 | 1" | 36.00 | 39.20 | 3.50 | 1"G |
| CBGLN114 | CBNGLN114 | CSGLN114 | 1¼" | 45.00 | 50.00 | 4.00 | 1¼"G |
| CBGLN112 | CBNGLN112 | CSGLN112 | 1½" | 55.00 | 60.00 | 4.25 | 1½"G |
| CBGLN200 | CBNGLN200 | CSGLN200 | 2" | 68.00 | 73.00 | 4.75 | 2"G |
| CBGLN212 | CBNGLN212 | CSGLN212 | 2½" | 81.00 | 88.00 | 4.75 | 2½"G |
| CBGLN300 | CBNGLN300 | CSGLN300 | 3" | 100.00 | 110.00 | 6.50 | 3"G |
| CBGLN312 | CBNGLN312 | CSGLN312 | 3½" | 110.00 | 120.00 | 7.00 | 3½"G |
| CBGLN400 | CBNGLN400 | CSGLN400 | 4" | 122.00 | 135.00 | 7.50 | 4"G |

PG LOCK NUT

| Brass Code | Nickel Plated Brass Code | Steel Code | Size | A/F | A/C | L | T |
|------------|--------------------------|------------|---------|-------|-------|------|---------|
| CBPLN70 | CBNPLN70 | CSPLN70 | PG 7 | 14.00 | 15.50 | 2.75 | PG 7 |
| CBPLN90 | CBNPLN90 | CSPLN90 | PG 9 | 17.00 | 18.50 | 2.75 | PG 9 |
| CBPLN11 | CBNPLN11 | CSPLN11 | PG 11 | 21.00 | 23.00 | 3.00 | PG 11 |
| CBPLN13 | CBNPLN13 | CSPLN13 | PG 13.5 | 23.00 | 25.25 | 3.25 | PG 13.5 |
| CBPLN16 | CBNPLN16 | CSPLN16 | PG 16 | 24.50 | 27.00 | 3.00 | PG 16 |
| CBPLN21 | CBNPLN21 | CSPLN21 | PG 21 | 31.00 | 34.00 | 3.50 | PG 21 |
| CBPLN29 | CBNPLN29 | CSPLN29 | PG 29 | 41.00 | 46.00 | 3.75 | PG 29 |
| CBPLN36 | CBNPLN36 | CSPLN36 | PG 36 | 51.00 | 56.50 | 4.50 | PG 36 |
| CBPLN42 | CBNPLN42 | CSPLN42 | PG 42 | 58.00 | 63.00 | 4.50 | PG 42 |
| CBPLN48 | CBNPLN48 | CSPLN48 | PG 48 | 65.00 | 70.00 | 5.00 | PG 48 |

ET LOCK NUT

| Brass Code | Nickel Plated Brass Code | Steel Code | Size | A/F | A/C | L | T |
|------------|--------------------------|------------|---------|-------|--------|------|--------|
| CBELN58 | CBNELN58 | CSELN58 | ET ⅝ | 20.00 | 22.00 | 3.50 | ET ⅝ |
| CBELN34 | CBNELN34 | CSELN34 | ET ¾ | 24.00 | 26.20 | 3.50 | ET ¾ |
| CBELN10 | CBNELN10 | CSELN10 | ET 1 | 30.00 | 33.00 | 3.50 | ET 1 |
| CBELN114 | CBNELN114 | CSELN114 | ET 1 ¼ | 35.00 | 40.00 | 4.00 | ET 1 ¼ |
| CBELN112 | CBNELN112 | CSELN112 | ET 1 ½ | 41.00 | 46.00 | 4.00 | ET 1 ½ |
| CBELN20 | CBNELN20 | CSELN20 | ET 2 | 55.00 | 60.00 | 4.00 | ET 2 |
| CBELN212 | CBNELN212 | CSELN212 | ET 2 ½ | 67.50 | 72.00 | 4.25 | ET 2 ½ |
| CBELN30 | CBNELN30 | CSELN30 | ET 3 | 85.00 | 90.00 | 4.50 | ET 3 |
| CBELN312 | CBNELN312 | CSELN312 | ET 3 ½" | 95.00 | 100.00 | 5.00 | ET 3 ½ |