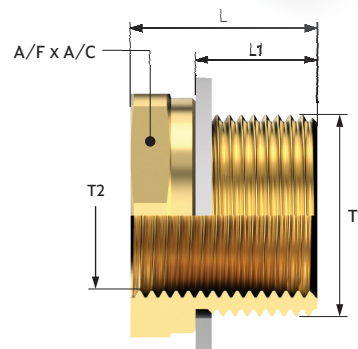


### Reducer

<b>Size</b>	: 16mm to 100mm
<b>Standard</b>	: EN IEC 60079-0:2018, EN/IEC 60079-1:2014, EN IEC 60079-7:2015+A1:2018, EN/IEC 60079-31:2014/2013
<b>Function</b>	: We offer a range of reducer for industrial and hazardous area application which provide effectiveness connection between cable entry devices and equipment having dis-similar thread. Reducers are designed to reduce dis-similar thread.
<b>IECEX Certificate No.</b>	: IECEX ITS 16.0041X
<b>ATEX Certificate No.</b>	: ETL22ATEX0109X
<b>EAC Certificate No.</b>	: RU C-IN.Ж58.B.O3310/22
<b>PESO Certificate No.</b>	: P568411/1
<b>CIMFR Certificate No.:</b>	CMF 19 INEX 0006
<b>Code of Protection</b>	: Ex db IIC Gb, Ex eb IIC Gb, Ex tb IIIC Db
<b>Area Classification</b>	: Group I and II, Category 2 (Zone 1) Gas Group IIA/IIB/IIC as per IEC 60079-0:2011, IEC 60079-7:2006-07 & IEC 60079-1:2014
<b>Ingress Protection</b>	: IP66/67 as per IEC 60529.
<b>Operating Temp.</b>	: -60°C to +135°C
<b>Material</b>	: Brass CW614N/CW617N/EN12165, SS316L
<b>Thread</b>	: Metric, NPT, BSP & ET



REDUCER						METRIC TO METRIC	
Code	Size	A/F	A/C	L1	L	T1	T2
R-20-16	M20 x M16	24.00	26.20	15.00	23.00	M20x1.5	M16x1.5
R-25-16	M25 x M16	30.00	33.00	15.00	23.00	M25x1.5	M16x1.5
R-25-20	M25 x M20	30.00	33.00	15.00	23.00	M25x1.5	M20x1.5
R-27-20	M27 x M20	32.00	35.00	15.00	23.00	M27x1.5	M20x1.5
R-30-20	M30 x M20	36.00	39.20	15.00	23.00	M30x1.5	M20x1.5
R-32-16	M32 x M16	36.00	39.20	15.00	23.00	M32x1.5	M16x1.5
R-32-20	M32 x M20	36.00	39.20	15.00	23.00	M32x1.5	M20x1.5
R-32-25	M32 x M25	36.00	39.20	15.00	23.00	M32x1.5	M25x1.5
R-40-16	M40 x M16	46.00	50.60	15.00	23.00	M40x1.5	M16x1.5
R-40-20	M40 x M20	46.00	50.60	15.00	23.00	M40x1.5	M20x1.5
R-40-25	M40 x M25	46.00	50.60	15.00	23.00	M40x1.5	M25x1.5
R-40-32	M40 x M32	46.00	50.60	15.00	23.00	M40x1.5	M32x1.5
R-50-20	M50 x M20	55.00	60.00	15.00	23.00	M50x1.5	M20x1.5
R-50-25	M50 x M25	55.00	60.00	15.00	23.00	M50x1.5	M25x1.5
R-50-32	M50 x M32	55.00	60.00	15.00	23.00	M50x1.5	M32x1.5
R-50-40	M50 x M40	55.00	60.00	15.00	23.00	M50x1.5	M40x1.5
R-63-25	M63 x M25	70.00	75.00	15.00	23.00	M63x1.5	M25x1.5
R-63-32	M63 x M32	70.00	75.00	15.00	23.00	M63x1.5	M32x1.5
R-63-40	M63 x M40	70.00	75.00	15.00	23.00	M63x1.5	M40x1.5
R-63-50	M63 x M50	70.00	75.00	15.00	23.00	M63x1.5	M50x1.5
R-75-25	M75 x M25	80.00	85.00	15.00	23.00	M75x1.5	M25x1.5
R-75-32	M75 x M32	80.00	85.00	15.00	23.00	M75x1.5	M32x1.5
R-75-40	M75 x M40	80.00	85.00	15.00	23.00	M75x1.5	M40x1.5
R-75-50	M75 x M50	80.00	85.00	15.00	23.00	M75x1.5	M50x1.5
R-75-63	M75 x M63	80.00	85.00	15.00	23.00	M75x1.5	M63x1.5
R-90-32	M90 x M32	95.00	100.00	18.00	26.00	M90x2.0	M32x1.5
R-90-40	M90 x M40	95.00	100.00	18.00	26.00	M90x2.0	M40x1.5
R-90-50	M90 x M50	95.00	100.00	18.00	26.00	M90x2.0	M50x1.5
R-90-63	M90 x M63	95.00	100.00	18.00	26.00	M90x2.0	M63x1.5
R-90-75	M90 x M75	95.00	100.00	18.00	26.00	M90x2.0	M75x1.5
R-100-50	M100 x M50	110.00	120.00	18.00	26.00	M100x2.0	M50x1.5
R-100-63	M100 x M63	110.00	120.00	18.00	26.00	M100x2.0	M63x1.5
R-100-75	M100 x M75	110.00	120.00	18.00	26.00	M100x2.0	M75x1.5
R-100-90	M100 x M90	110.00	120.00	18.00	26.00	M100x2.0	M90x2.0



REDUCER						METRIC TO BSP (G)	
Code	Size	A/F	A/C	L1	L	T1	T2
R-20-38G	M20 x 3/8"G	24.00	26.20	15.00	23.00	M20x1.5	3/8"G
R-25-38G	M25 x 3/8"G	30.00	33.00	15.00	23.00	M25x1.5	3/8"G
R-25-12G	M25 x 1/2"G	30.00	33.00	15.00	23.00	M25x1.5	1/2"G
R-32-38G	M32 x 3/8"G	36.00	39.20	15.00	23.00	M32x1.5	3/8"G
R-32-12G	M32 x 1/2"G	36.00	39.20	15.00	23.00	M32x1.5	1/2"G
R-32-34G	M32 x 3/4"G	36.00	39.20	15.00	23.00	M32x1.5	3/4"G
R-40-38G	M40 x 3/8"G	46.00	50.60	15.00	23.00	M40x1.5	3/8"G
R-40-12G	M40 x 1/2"G	46.00	50.60	15.00	23.00	M40x1.5	1/2"G
R-40-34G	M40 x 3/4"G	46.00	50.60	15.00	23.00	M40x1.5	3/4"G
R-40-1G	M40 x 1"G	46.00	50.60	15.00	23.00	M40x1.5	1"G
R-50-12G	M50 x 1/2"G	55.00	60.00	15.00	23.00	M50x1.5	1/2"G
R-50-34G	M50 x 3/4" G	55.00	60.00	15.00	23.00	M50x1.5	3/4"G
R-50-1G	M50 x 1"G	55.00	60.00	15.00	23.00	M50x1.5	1"G
R-50-114G	M50 x 1 1/4"G	55.00	60.00	15.00	23.00	M50x1.5	1 1/4"G
R-63-12G	M63 x 1/2"G	70.00	75.00	15.00	23.00	M63x1.5	1/2"G
R-63-34G	M63 x 3/4"G	70.00	75.00	15.00	23.00	M63x1.5	3/4"G
R-63-1G	M63 x 1"G	70.00	75.00	15.00	23.00	M63x1.5	1"G
R-63-114G	M63 x 1 1/4"G	70.00	75.00	15.00	23.00	M63x1.5	1 1/4"G
R-63-112G	M63 x 1 1/2"G	70.00	75.00	15.00	23.00	M63x1.5	1 1/2"G
R-75-34G	M75 x 3/4"G	80.00	85.00	15.00	23.00	M75x1.5	3/4"G
R-75-1G	M75 x 1"G	80.00	85.00	15.00	23.00	M75x1.5	1"G
R-75-114G	M75 x 1 1/4"G	80.00	85.00	15.00	23.00	M75x1.5	1 1/4"G
R-75-112G	M75 x 1 1/2"G	80.00	85.00	15.00	23.00	M75x1.5	1 1/2"G
R-75-2G	M75 x 2"G	80.00	85.00	15.00	23.00	M75x1.5	2"G
R-90-114G	M90 x 1 1/4"G	95.00	100.00	18.00	26.00	M90x2.0	1 1/4"G
R-90-112G	M90 x 1 1/2"G	95.00	100.00	18.00	26.00	M90x2.0	1 1/2"G
R-90-2G	M90 x 2"G	95.00	100.00	18.00	26.00	M90x2.0	2"G
R-90-212G	M90 x 2 1/2"G	95.00	100.00	18.00	26.00	M90x2.0	2 1/2"G
R-100-112G	M100 x 1 1/2"G	110.00	120.00	18.00	26.00	M100x2.0	1 1/2"G
R-100-2G	M100 x 2"G	110.00	120.00	18.00	26.00	M100x2.0	2"G
R-100-212G	M100 x 2 1/2"G	110.00	120.00	18.00	26.00	M100x2.0	2 1/2"G
R-100-3G	M100 x 3"G	110.00	120.00	18.00	26.00	M100x2.0	3"G

REDUCER						METRIC TO NPT	
Code	Size	A/F	A/C	L1	L	T1	T2
R-20-38N	M20 x 3/8"NPT	24.00	26.20	15.00	23.00	M20x1.5	3/8" NPT
R-25-38N	M25 x 3/8"NPT	30.00	33.00	15.00	23.00	M25x1.5	3/8" NPT
R-25-12N	M25 x 1/2"NPT	30.00	33.00	15.00	23.00	M25x1.5	1/2" NPT
R-32-38N	M32 x 3/8"NPT	36.00	39.20	15.00	23.00	M32x1.5	3/8" NPT
R-32-12N	M32 x 1/2"NPT	36.00	39.20	15.00	23.00	M32x1.5	1/2" NPT
R-32-34N	M32 x 3/4"NPT	36.00	39.20	15.00	23.00	M32x1.5	3/4" NPT
R-40-38N	M40 x 3/8"NPT	46.00	50.60	15.00	23.00	M40x1.5	3/8" NPT
R-40-12N	M40 x 1/2"NPT	46.00	50.60	15.00	23.00	M40x1.5	1/2" NPT
R-40-34N	M40 x 3/4"NPT	46.00	50.60	15.00	23.00	M40x1.5	3/4" NPT
R-40-1N	M40 x 1"NPT	46.00	50.60	15.00	23.00	M40x1.5	1" NPT
R-50-12N	M50 x 1/2"NPT	55.00	60.00	15.00	23.00	M50x1.5	1/2" NPT
R-50-34N	M50 x 3/4" NPT	55.00	60.00	15.00	23.00	M50x1.5	3/4" NPT
R-50-1N	M50 x 1"NPT	55.00	60.00	15.00	23.00	M50x1.5	1" NPT
R-50-114N	M50 x 1 1/4"NPT	55.00	60.00	15.00	23.00	M50x1.5	1 1/4" NPT
R-63-12N	M63 x 1/2"NPT	70.00	75.00	15.00	23.00	M63x1.5	1/2" NPT
R-63-34N	M63 x 3/4"NPT	70.00	75.00	15.00	23.00	M63x1.5	3/4" NPT
R-63-1N	M63 x 1"NPT	70.00	75.00	15.00	23.00	M63x1.5	1" NPT
R-63-114N	M63 x 1 1/4"NPT	70.00	75.00	15.00	23.00	M63x1.5	1 1/4" NPT
R-63-112N	M63 x 1 1/2"NPT	70.00	75.00	15.00	23.00	M63x1.5	1 1/2" NPT
R-75-34N	M75 x 3/4"NPT	80.00	85.00	15.00	23.00	M75x1.5	3/4" NPT
R-75-1N	M75 x 1"NPT	80.00	85.00	15.00	23.00	M75x1.5	1" NPT
R-75-114N	M75 x 1 1/4"NPT	80.00	85.00	15.00	23.00	M75x1.5	1 1/4" NPT
R-75-112N	M75 x 1 1/2"NPT	80.00	85.00	15.00	23.00	M75x1.5	1 1/2" NPT
R-75-2N	M75 x 2"NPT	80.00	85.00	15.00	23.00	M75x1.5	2" NPT
R-90-114N	M90 x 1 1/4"NPT	95.00	100.00	18.00	26.00	M90x2.0	1 1/4" NPT
R-90-112N	M90 x 1 1/2"NPT	95.00	100.00	18.00	26.00	M90x2.0	1 1/2" NPT
R-90-2N	M90 x 2"NPT	95.00	100.00	18.00	26.00	M90x2.0	2" NPT
R-90-212N	M90 x 2 1/2"NPT	95.00	100.00	18.00	30.00	M90x2.0	2 1/2" NPT



REDUCER						METRIC TO NPT	
Code	Size	A/F	A/C	L1	L	T1	T2
R-100-112N	M100 x 1½"NPT	110.00	120.00	18.00	26.00	M100x2.0	1½" NPT
R-100-2N	M100 x 2"NPT	110.00	120.00	18.00	26.00	M100x2.0	2" NPT
R-100-212N	M100 x 2½"NPT	110.00	120.00	18.00	30.00	M100x2.0	2½" NPT
R-100-3N	M100 x 3"NPT	110.00	120.00	18.00	30.00	M100x2.0	3" NPT

REDUCER						BSP (G) TO METRIC	
Code	Size	A/F	A/C	L1	L	T1	T2
R-12G-16	½"G x M16	24.00	26.20	15.00	23.00	½"G	M16x1.5
R-34G-16	¾"G x M16	30.00	33.00	15.00	23.00	¾"G	M16x1.5
R-34G-20	¾"G x M20	30.00	33.00	15.00	23.00	¾"G	M20x1.5
R-1G-16	1"G x M16	36.00	39.20	18.00	26.00	1"G	M16x1.5
R-1G-20	1"G x M20	36.00	39.20	18.00	26.00	1"G	M20x1.5
R-1G-25	1"G x M25	36.00	39.20	18.00	26.00	1"G	M25x1.5
R-114G-16	1¼"G x M16	46.00	50.60	18.00	26.00	1¼"G	M16x1.5
R-114G-20	1¼"G x M20	46.00	50.60	18.00	26.00	1¼"G	M20x1.5
R-114G-25	1¼"G x M25	46.00	50.60	18.00	26.00	1¼"G	M25x1.5
R-114G-32	1¼"G x M32	46.00	50.60	18.00	26.00	1¼"G	M32x1.5
R-112G-20	1½"G x M20	55.00	60.00	18.00	26.00	1½"G	M20x1.5
R-112G-25	1½"G x M25	55.00	60.00	18.00	26.00	1½"G	M25x1.5
R-112G-32	1½"G x M32	55.00	60.00	18.00	26.00	1½"G	M32x1.5
R-112G-40	1½"G x M40	55.00	60.00	18.00	26.00	1½"G	M40x1.5
R-2G-20	2"G x M20	70.00	75.00	18.00	26.00	2"G	M20x1.5
R-2G-25	2"G x M25	70.00	75.00	18.00	26.00	2"G	M25x1.5
R-2G-32	2"G x M32	70.00	75.00	18.00	26.00	2"G	M32x1.5
R-2G-40	2"G x M40	70.00	75.00	18.00	26.00	2"G	M40x1.5
R-2G-50	2"G x M50	70.00	75.00	18.00	26.00	2"G	M50x1.5
R-212G-20	2½"G x M20	80.00	85.00	18.00	26.00	2½"G	M20x1.5
R-212G-25	2½"G x M25	80.00	85.00	18.00	26.00	2½"G	M25x1.5
R-212G-32	2½"G x M32	80.00	85.00	18.00	26.00	2½"G	M32x1.5
R-212G-40	2½"G x M40	80.00	85.00	18.00	26.00	2½"G	M40x1.5
R-212G-50	2½"G x M50	80.00	85.00	18.00	26.00	2½"G	M50x1.5
R-212G-63	2½"G x M63	80.00	85.00	18.00	26.00	2½"G	M63x1.5
R-3G-20	3"G x M20	95.00	100.00	18.00	26.00	3"G	M20x1.5
R-3G-25	3"G x M25	95.00	100.00	18.00	26.00	3"G	M25x1.5
R-3G-32	3"G x M32	95.00	100.00	18.00	26.00	3"G	M32x1.5
R-3G-40	3"G x M40	95.00	100.00	18.00	26.00	3"G	M40x1.5
R-3G-50	3"G x M50	95.00	100.00	18.00	26.00	3"G	M50x1.5
R-3G-63	3"G x M63	95.00	100.00	18.00	26.00	3"G	M63x1.5
R-3G-75	3"G x M75	95.00	100.00	18.00	26.00	3"G	M75x1.5
R-312G-50	3½"G x M50	110.00	120.00	18.00	26.00	3½"G	M50x1.5
R-312G-63	3½"G x M63	110.00	120.00	18.00	26.00	3½"G	M63x1.5
R-312G-75	3½"G x M75	110.00	120.00	18.00	26.00	3½"G	M75x1.5
R-312G-90	3½"G x M90	110.00	120.00	18.00	26.00	3½"G	M90x2.0

REDUCER						BSP (G) TO BSP (G)	
Code	Size	A/F	A/C	L1	L	T1	T2
R-12G-38G	½"G x ⅜"G	24.00	26.50	15.00	23.00	½"G	⅜"G
R-34G-38G	¾"G x ⅜"G	30.00	33.00	15.00	23.00	¾"G	⅜"G
R-34G-12G	¾"G x ½"G	30.00	33.00	15.00	23.00	¾"G	½"G
R-1G-38G	1"G x ⅜"G	36.00	39.20	18.00	26.00	1"G	⅜"G
R-1G-12G	1"G x ½"G	36.00	39.20	18.00	26.00	1"G	½"G
R-1G-34G	1"G x ¾"G	36.00	39.20	18.00	26.00	1"G	¾"G
R-114G-38G	1¼"G x ⅜"G	46.00	50.60	18.00	26.00	1¼"G	⅜"G
R-114G-12G	1¼"G x ½"G	46.00	50.60	18.00	26.00	1¼"G	½"G
R-114G-34G	1¼"G x ¾"G	46.00	50.60	18.00	26.00	1¼"G	¾"G
R-114G-1G	1¼"G x 1"G	46.00	50.60	18.00	26.00	1¼"G	1"G
R-112G-12G	1½"G x ½"G	55.00	60.00	18.00	26.00	1½"G	½"G
R-112G-34G	1½"G x ¾"G	55.00	60.00	18.00	26.00	1½"G	¾"G
R-112G-1G	1½"G x 1"G	55.00	60.00	18.00	26.00	1½"G	1"G
R-112G-114G	1½"G x 1¼"G	55.00	60.00	18.00	26.00	1½"G	1¼"G
R-2G-12G	2"G x ½"G	70.00	75.00	18.00	26.00	2"G	½"G
R-2G-34G	2"G x ¾"G	70.00	75.00	18.00	26.00	2"G	¾"G
R-2G-1G	2"G x 1" G	70.00	75.00	18.00	26.00	2"G	1"G
R-2G-114G	2"G x 1¼" G	70.00	75.00	18.00	26.00	2"G	1¼"G



REDUCER						BSP (G) TO BSP (G)	
Code	Size	A/F	A/C	L1	L	T1	T2
R-2G-112G	2"G x 1½" G	70.00	75.00	18.00	26.00	2"G	1½"G
R-212G-12G	2½"G x ½"G	80.00	85.00	18.00	26.00	2½"G	½"G
R-212G-34G	2½"G x ¾"G	80.00	85.00	18.00	26.00	2½"G	¾"G
R-212G-1G	2½"G x 1"G	80.00	85.00	18.00	26.00	2½"G	1"G
R-212G-114G	2½"G x 1¼"G	80.00	85.00	18.00	26.00	2½"G	1¼"G
R-212G-112G	2½"G x 1½"G	80.00	85.00	18.00	26.00	2½"G	1½"G
R-212G-2G	2½"G x 2"G	80.00	85.00	18.00	26.00	2½"G	2"G
R-3G-12G	3"G x ½"G	95.00	100.00	18.00	26.00	3"G	½"G
R-3G-34G	3"G x ¾"G	95.00	100.00	18.00	26.00	3"G	¾"G
R-3G-1G	3"G x 1"G	95.00	100.00	18.00	26.00	3"G	1"G
R-3G-114G	3"G x 1¼"G	95.00	100.00	18.00	26.00	3"G	1¼"G
R-3G-112G	3"G x 1½"G	95.00	100.00	18.00	26.00	3"G	1½"G
R-3G-2G	3"G x 2"G	95.00	100.00	18.00	26.00	3"G	2"G
R-3G-212G	3"G x 2½"G	95.00	100.00	18.00	26.00	3"G	2½"G
R-312G-112G	3½"G x 1½"G	110.00	120.00	18.00	26.00	3½"G	1½"G
R-312G-2G	3½"G x 2"G	110.00	120.00	18.00	26.00	3½"G	2"G
R-312G-212G	3½"G x 2½"G	110.00	120.00	18.00	26.00	3½"G	2½"G
R-312G-3G	3½"G x 3"G	110.00	120.00	18.00	26.00	3½"G	3"G

REDUCER						NPT TO METRIC	
Code	Size	A/F	A/C	L1	L	T1	T2
R-12N-16	½"NPT x M16	24.00	26.20	16.00	24.00	½" NPT	M16x1.5
R-34N-16	¾"NPT x M16	30.00	33.00	16.00	24.00	¾" NPT	M16x1.5
R-34N-20	¾"NPT x M20	30.00	33.00	16.00	24.00	¾" NPT	M20x1.5
R-1N-16	1"NPT x M16	36.00	39.20	19.00	27.00	1" NPT	M16x1.5
R-1N-20	1"NPT x M20	36.00	39.20	19.00	27.00	1" NPT	M20x1.5
R-1N-25	1"NPT x M25	36.00	39.20	19.00	27.00	1" NPT	M25x1.5
R-114N-16	1¼"NPT x M16	46.00	50.60	19.00	27.00	1¼" NPT	M16x1.5
R-114N-20	1¼"NPT x M20	46.00	50.60	19.00	27.00	1¼" NPT	M20x1.5
R-114N-25	1¼"NPT x M25	46.00	50.60	19.00	27.00	1¼" NPT	M25x1.5
R-114N-32	1¼"NPT x M32	46.00	50.60	19.00	27.00	1¼" NPT	M32x1.5
R-112N-20	1½"NPT x M20	55.00	60.00	21.00	29.00	1½" NPT	M20x1.5
R-112N-25	1½"NPT x M25	55.00	60.00	21.00	29.00	1½" NPT	M25x1.5
R-112N-32	1½"NPT x M32	55.00	60.00	21.00	29.00	1½" NPT	M32x1.5
R-112N-40	1½"NPT x M40	55.00	60.00	21.00	29.00	1½" NPT	M40x1.5
R-2N-20	2"NPT x M20	70.00	75.00	21.00	29.00	2" NPT	M20x1.5
R-2N-25	2"NPT x M25	70.00	75.00	21.00	29.00	2" NPT	M25x1.5
R-2N-32	2"NPT x M32	70.00	75.00	21.00	29.00	2" NPT	M32x1.5
R-2N-40	2"NPT x M40	70.00	75.00	21.00	29.00	2" NPT	M40x1.5
R-2N-50	2"NPT x M50	70.00	75.00	21.00	29.00	2" NPT	M50x1.5
R-212N-25	2½"NPT x M25	80.00	85.00	30.00	37.00	2½" NPT	M25x1.5
R-212N-32	2½"NPT x M32	80.00	85.00	30.00	37.00	2½" NPT	M32x1.5
R-212N-40	2½"NPT x M40	80.00	85.00	30.00	37.00	2½" NPT	M40x1.5
R-212N-50	2½"NPT x M50	80.00	85.00	30.00	37.00	2½" NPT	M50x1.5
R-212N-63	2½"NPT x M63	80.00	85.00	30.00	37.00	2½" NPT	M63x1.5
R-3N-25	3"NPT x M25	95.00	100.00	32.00	39.00	3" NPT	M25x1.5
R-3N-32	3"NPT x M32	95.00	100.00	32.00	39.00	3" NPT	M32x1.5
R-3N-40	3"NPT x M40	95.00	100.00	32.00	39.00	3" NPT	M40x1.5
R-3N-50	3"NPT x M50	95.00	100.00	32.00	39.00	3" NPT	M50x1.5
R-3N-63	3"NPT x M63	95.00	100.00	32.00	39.00	3" NPT	M63x1.5
R-3N-75	3"NPT x M75	95.00	100.00	32.00	39.00	3" NPT	M75x1.5

REDUCER						NPT TO NPT	
Code	Size	A/F	A/C	L1	L	T1	T2
R-12N-38N	½"N x ⅜"N	24.00	26.20	16.00	24.00	½" NPT	⅜" NPT
R-34N-38N	¾"N x ⅜"N	30.00	33.00	16.00	24.00	¾" NPT	⅜" NPT
R-34N-12N	¾"N x ½"N	30.00	33.00	16.00	24.00	¾" NPT	½" NPT
R-1N-38N	1"N x ⅜"N	36.00	39.20	19.00	27.00	1" NPT	⅜" NPT
R-1N-12N	1"N x ½"N	36.00	39.20	19.00	27.00	1" NPT	½" NPT
R-1N-34N	1"N x ¾"N	36.00	39.20	19.00	27.00	1" NPT	¾" NPT
R-114N-38N	1¼"N x ⅜"N	46.00	50.60	19.00	27.00	1¼" NPT	⅜" NPT
R-114N-12N	1¼"N x ½"N	46.00	50.60	19.00	27.00	1¼" NPT	½" NPT
R-114N-34N	1¼"N x ¾"N	46.00	50.60	19.00	27.00	1¼" NPT	¾" NPT



REDUCER						NPT TO NPT	
Code	Size	A/F	A/C	L1	L	T1	T2
R-114N-1N	1¼"N x 1"N	46.00	50.60	19.00	27.00	1¼" NPT	1" NPT
R-112N-12N	1½"N x ½"N	55.00	60.00	21.00	28.00	1½" NPT	½" NPT
R-112N-34N	1½"N x ¾"N	55.00	60.00	21.00	28.00	1½" NPT	¾" NPT
R-112N-1N	1½"N x 1"N	55.00	60.00	21.00	28.00	1½" NPT	1" NPT
R-112N-114N	1½"N x 1¼"N	55.00	60.00	21.00	28.00	1½" NPT	1¼" NPT
R-2N-12N	2"N x ½" N	70.00	75.00	21.00	28.00	2" NPT	½" NPT
R-2N-34N	2"N x ¾" N	70.00	75.00	21.00	28.00	2" NPT	¾" NPT
R-2N-1N	2"N x 1" N	70.00	75.00	21.00	28.00	2" NPT	1" NPT
R-2N-114N	2"N x 1¼" N	70.00	75.00	21.00	28.00	2" NPT	1¼" NPT
R-2N-112N	2"N x 1½" N	70.00	75.00	21.00	28.00	2" NPT	1½" NPT
R-212N-12N	2½"N x ½"N	80.00	85.00	30.00	37.00	2½" NPT	½" NPT
R-212N-34N	2½"N x ¾"N	80.00	85.00	30.00	37.00	2½" NPT	¾" NPT
R-212N-1N	2½"N x 1"N	80.00	85.00	30.00	37.00	2½" NPT	1" NPT
R-212N-114N	2½"N x 1¼"N	80.00	85.00	30.00	37.00	2½" NPT	1¼" NPT
R-212N-112N	2½"N x 1½"N	80.00	85.00	30.00	37.00	2½" NPT	1½" NPT
R-212N-2N	2½"N x 2"N	80.00	85.00	30.00	37.00	2½" NPT	2" NPT
R-3N-12N	3"N x ½"N	95.00	100.00	32.00	39.00	3" NPT	½" NPT
R-3N-34N	3"N x ¾"N	95.00	100.00	32.00	39.00	3" NPT	¾" NPT
R-3N-1N	3"N x 1"N	95.00	100.00	32.00	39.00	3" NPT	1" NPT
R-3N-114N	3"N x 1¼"N	95.00	100.00	32.00	39.00	3" NPT	1¼" NPT
R-3N-112N	3"N x 1½"N	95.00	100.00	32.00	39.00	3" NPT	1½" NPT
R-3N-2N	3"N x 2"N	95.00	100.00	32.00	39.00	3" NPT	2" NPT
R-3N-212N	3"N x 2½"N	95.00	100.00	32.00	39.00	3" NPT	2½" NPT

REDUCER						ET TO ET	
Code	Size	A/F	A/C	L1	L	T1	T2
R-34ET-58ET	¾"ET x 5/8"ET	24.00	26.20	15.00	22.50	¾"ET	5/8"ET
R-1ET-58ET	1"ET x 5/8"ET	30.00	33.00	15.00	23.00	1"ET	5/8"ET
R-1ET-34ET	1"ET x ¾"ET	30.00	33.00	15.00	23.00	1"ET	¾"ET
R-114ET-58ET	1¼"ET x 5/8"ET	36.00	39.20	15.00	23.00	1¼"ET	5/8"ET
R-114ET-34ET	1¼"ET x ¾"ET	36.00	39.20	15.00	23.00	1¼"ET	¾"ET
R-114ET-1ET	1¼"ET x 1"ET	36.00	39.20	15.00	23.00	1¼"ET	1"ET
R-112ET-58ET	1½"ET x 5/8"ET	44.00	49.00	15.00	23.00	1½"ET	5/8"ET
R-112ET-34ET	1½"ET x ¾"ET	44.00	49.00	15.00	23.00	1½"ET	¾"ET
R-112ET-1ET	1½"ET x 1"ET	44.00	49.00	15.00	23.00	1½"ET	1"ET
R-112ET-114ET	1½"ET x 1¼"ET	44.00	49.00	15.00	23.00	1½"ET	1¼"ET
R-2ET-34ET	2"ET x ¾"ET	55.00	60.00	15.00	23.00	2"ET	¾"ET
R-2ET-1ET	2"ET x 1"ET	55.00	60.00	15.00	23.00	2"ET	1"ET
R-2ET-114ET	2"ET x 1¼"ET	55.00	60.00	15.00	23.00	2"ET	1¼"ET
R-2ET-112ET	2"ET x 1½"ET	55.00	60.00	15.00	23.00	2"ET	1½"ET
R-212ET-1ET	2½"ET x 1"ET	68.00	73.00	15.00	23.00	2½"ET	1"ET
R-212ET-114ET	2½"ET x 1¼"ET	68.00	73.00	15.00	23.00	2½"ET	1¼"ET
R-212ET-112ET	2½"ET x 1½"ET	68.00	73.00	15.00	23.00	2½"ET	1½"ET
R-212ET-2ET	2½"ET x 2"ET	68.00	73.00	15.00	23.00	2½"ET	2"ET
R-3ET-1ET	3"ET x 1"ET	80.00	85.00	15.00	23.00	3"ET	1"ET
R-3ET-114ET	3"ET x 1¼"ET	80.00	85.00	15.00	23.00	3"ET	1¼"ET
R-3ET-112ET	3"ET x 1½"ET	80.00	85.00	15.00	23.00	3"ET	1½"ET
R-3ET-2ET	3"ET x 2"ET	80.00	85.00	15.00	23.00	3"ET	2"ET
R-312ET-114ET	3½"ET x 1¼"ET	95.00	100.00	15.00	23.00	3½"ET	1¼"ET
R-312ET-112ET	3½"ET x 1½"ET	95.00	100.00	15.00	23.00	3½"ET	1½"ET
R-312ET-2ET	3½"ET x 2"ET	95.00	100.00	15.00	23.00	3½"ET	2"ET
R-312ET-212ET	3½"ET x 2½"ET	95.00	100.00	15.00	23.00	3½"ET	2½"ET
R-312ET-3ET	3½"ET x 3"ET	95.00	100.00	15.00	23.00	3½"ET	3"ET

REDUCER						ET TO METRIC	
Code	Size	A/F	A/C	L1	L	T1	T2
R-34ET-16	¾"ETxM16	24.00	26.20	15.00	23.00	¾"ET	M16x1.5
R-1ET-16	1"ETxM16	30.00	33.00	15.00	23.00	1"ET	M16x1.5
R-1ET-20	1"ETxM20	30.00	33.00	15.00	23.00	1"ET	M20x1.5
R-114ET-16	1¼"ETxM16	36.00	39.20	15.00	23.00	1¼"ET	M16x1.5
R-114ET-20	1¼"ETxM20	36.00	39.20	15.00	23.00	1¼"ET	M20x1.5
R-114ET-25	1¼"ETxM25	36.00	39.20	15.00	23.00	1¼"ET	M25x1.5
R-112ET-16	1½"ETxM16	44.00	49.00	15.00	23.00	1½"ET	M16x1.5
R-112ET-20	1½"ETxM20	44.00	49.00	15.00	23.00	1½"ET	M20x1.5



REDUCER						ET TO METRIC	
Code	Size	A/F	A/C	L1	L	T1	T2
R-112ET-25	1½"ETxM25	44.00	49.00	15.00	23.00	1½"ET	M25x1.5
R-112ET-32	1½"ETxM32	44.00	49.00	15.00	23.00	1½"ET	M32x1.5
R-2ET-25	2"ETxM25	55.00	60.00	15.00	23.00	2"ET	M25x1.5
R-2ET-32	2"ETxM32	55.00	60.00	15.00	23.00	2"ET	M32x1.5
R-2ET-40	2"ETxM40	55.00	60.00	15.00	23.00	2"ET	M40x1.5
R-212ET-32	2½"ETxM32	68.00	73.00	15.00	23.00	2½"ET	M32x1.5
R-212ET-40	2½"ETxM40	68.00	73.00	15.00	23.00	2½"ET	M40x1.5
R-212ET-50	2½"ETxM50	68.00	73.00	15.00	23.00	2½"ET	M50x1.5
R-3ET-32	3"ETxM32	80.00	85.00	15.00	23.00	3"ET	M32x1.5
R-3ET-40	3"ETxM40	80.00	85.00	15.00	23.00	3"ET	M40x1.5
R-3ET-50	3"ETxM50	80.00	85.00	15.00	23.00	3"ET	M50x1.5
R-3ET-63	3"ETxM63	80.00	85.00	15.00	23.00	3"ET	M63x1.5
R-312ET-40	3½"ETxM40	95.00	100.00	15.00	23.00	3½"ET	M40x1.5
R-312ET-50	3½"ETxM50	95.00	100.00	15.00	23.00	3½"ET	M50x1.5
R-312ET-63	3½"ETxM63	95.00	100.00	15.00	23.00	3½"ET	M63x1.5
R-312ET-75	3½"ETxM75	95.00	100.00	15.00	23.00	3½"ET	M75x1.5

REDUCER						ET TO NPT	
Code	Size	A/F	A/C	L1	L	T1	T2
R-34ET-38N	¾"ET x ¾" NPT	24.00	26.20	15.00	23.00	¾"ET	¾" NPT
R-1ET-38N	1"ET x ¾" NPT	30.00	33.00	15.00	23.00	1"ET	¾" NPT
R-1ET-12N	1"ET x ½" NPT	30.00	33.00	15.00	23.00	1"ET	½" NPT
R-114ET-38N	1¼"ET x ¾" NPT	36.00	39.20	15.00	23.00	1¼"ET	¾" NPT
R-114ET-12N	1¼"ET x ½" NPT	36.00	39.20	15.00	23.00	1¼"ET	½" NPT
R-114ET-34N	1¼"ET x ¾" NPT	36.00	39.20	15.00	23.00	1¼"ET	¾" NPT
R-112ET-38N	1½"ET x ¾" NPT	44.00	49.00	15.00	23.00	1½"ET	¾" NPT
R-112ET-12N	1½"ET x ½" NPT	44.00	49.00	15.00	23.00	1½"ET	½" NPT
R-112ET-34N	1½"ET x ¾" NPT	44.00	49.00	15.00	23.00	1½"ET	¾" NPT
R-112ET-1N	1½"ET x 1" NPT	44.00	49.00	15.00	23.00	1½"ET	1" NPT
R-2ET-34N	2"ET x ¾" NPT	55.00	60.00	15.00	23.00	2"ET	¾" NPT
R-2ET-1N	2"ET x 1" NPT	55.00	60.00	15.00	23.00	2"ET	1" NPT
R-2ET-114N	2"ET x 1¼" NPT	55.00	60.00	15.00	23.00	2"ET	1¼" NPT
R-212ET-1N	2½"ET x 1" NPT	68.00	73.00	15.00	23.00	2½"ET	1" NPT
R-212ET-114N	2½"ET x 1¼" NPT	68.00	73.00	15.00	23.00	2½"ET	1¼" NPT
R-212ET-112N	2½"ET x 1½" NPT	68.00	73.00	15.00	23.00	2½"ET	1½" NPT
R-3ET-1N	3"ET x 1" NPT	80.00	85.00	15.00	23.00	3"ET	1" NPT
R-3ET-114N	3"ET x 1¼" NPT	80.00	85.00	15.00	23.00	3"ET	1¼" NPT
R-3ET-112N	3"ET x 1½" NPT	80.00	85.00	15.00	23.00	3"ET	1½" NPT
R-3ET-2N	3"ET x 2" NPT	80.00	85.00	15.00	23.00	3"ET	2" NPT
R-312ET-114N	3½"ET x 1¼" NPT	95.00	100.00	15.00	23.00	3½"ET	1¼" NPT
R-312ET-112N	3½"ET x 1½" NPT	95.00	100.00	15.00	23.00	3½"ET	1½" NPT
R-312ET-2N	3½"ET x 2" NPT	95.00	100.00	15.00	23.00	3½"ET	2" NPT
R-312ET-212N	3½"ET x 2½" NPT	95.00	100.00	15.00	28.00	3½"ET	2½" NPT

REDUCER						METRIC TO ET	
Code	Size	A/F	A/C	L1	L	T1	T2
R-20-58ET	M20 x ⅝" ET	24.00	26.20	15.00	23.00	M20x1.5	⅝" ET
R-25-58ET	M25 x ⅝" ET	30.00	33.00	15.00	23.00	M25x1.5	⅝" ET
R-25-34ET	M25 x ¾" ET	30.00	33.00	15.00	23.00	M25x1.5	¾" ET
R-32-58ET	M32 x ⅝" ET	36.00	39.20	15.00	23.00	M32x1.5	⅝" ET
R-32-34ET	M32 x ¾" ET	36.00	39.20	15.00	23.00	M32x1.5	¾" ET
R-32-1ET	M32 x 1" ET	36.00	39.20	15.00	23.00	M32x1.5	1" ET
R-40-58ET	M40 x ⅝" ET	46.00	50.60	15.00	23.00	M40x1.5	⅝" ET
R-40-34ET	M40 x ¾" ET	46.00	50.60	15.00	23.00	M40x1.5	¾" ET
R-40-1ET	M40 x 1" ET	46.00	50.60	15.00	23.00	M40x1.5	1" ET
R-40-114ET	M40 x 1¼" ET	46.00	50.60	15.00	23.00	M40x1.5	1¼" ET
R-50-34ET	M50 x ¾" ET	55.00	60.00	15.00	23.00	M50x1.5	¾" ET
R-50-1ET	M50 x 1" ET	55.00	60.00	15.00	23.00	M50x1.5	1" ET
R-50-114ET	M50 x 1¼" ET	55.00	60.00	15.00	23.00	M50x1.5	1¼" ET
R-50-112ET	M50 x 1½" ET	55.00	60.00	15.00	23.00	M50x1.5	1½" ET
R-63-1ET	M63 x 1" ET	70.00	75.00	15.00	23.00	M63x1.5	1" ET
R-63-114ET	M63 x 1¼" ET	70.00	75.00	15.00	23.00	M63x1.5	1¼" ET
R-63-112ET	M63 x 1½" ET	70.00	75.00	15.00	23.00	M63x1.5	1½" ET
R-63-2ET	M63 x 2" ET	70.00	75.00	15.00	23.00	M63x1.5	2" ET

REDUCER						METRIC TO ET	
Code	Size	A/F	A/C	L1	L	T1	T2
R-75-1ET	M75 x 1" ET	80.00	85.00	15.00	23.00	M75x1.5	1" ET
R-75-114ET	M75 x 1.1/4" ET	80.00	85.00	15.00	23.00	M75x1.5	1.1/4" ET
R-75-112ET	M75 x 1.1/2" ET	80.00	85.00	15.00	23.00	M75x1.5	1.1/2" ET
R-75-2ET	M75 x 2" ET	80.00	85.00	15.00	23.00	M75x1.5	2" ET
R-75-212ET	M75 x 2.1/2" ET	80.00	85.00	15.00	23.00	M75x1.5	2.1/2" ET
R-90-114ET	M90 x 1.1/4" ET	95.00	100.00	18.00	26.00	M90x2.0	1.1/4" ET
R-90-112ET	M90 x 1.1/2" ET	95.00	100.00	18.00	26.00	M90x2.0	1.1/2" ET
R-90-2ET	M90 x 2" ET	95.00	100.00	18.00	26.00	M90x2.0	2" ET
R-90-212ET	M90 x 2.1/2" ET	95.00	100.00	18.00	26.00	M90x2.0	2.1/2" ET
R-90-3ET	M90 x 3" ET	95.00	100.00	18.00	26.00	M90x2.0	3" ET

REDUCER						NPT TO ET	
Code	Size	A/F	A/C	L1	L	T1	T2
R-12N-58ET	1/2" NPT x 5/8" ET	24.00	26.20	16.00	23.50	1/2" NPT	5/8" ET
R-34N-58ET	3/4" NPT x 5/8" ET	30.00	33.00	16.00	24.00	3/4" NPT	5/8" ET
R-34N-34ET	3/4" NPT x 3/4" ET	30.00	33.00	16.00	24.00	3/4" NPT	3/4" ET
R-1N-58ET	1" NPT x 5/8" ET	36.00	39.20	19.00	27.00	1" NPT	5/8" ET
R-1N-34ET	1" NPT x 3/4" ET	36.00	39.20	19.00	27.00	1" NPT	3/4" ET
R-1N-1ET	1" NPT x 1" ET	36.00	39.20	19.00	27.00	1" NPT	1" ET
R-114N-58ET	1.1/4" NPT x 5/8" ET	46.00	50.60	19.00	27.00	1.1/4" NPT	5/8" ET
R-114N-34ET	1.1/4" NPT x 3/4" ET	46.00	50.60	19.00	27.00	1.1/4" NPT	3/4" ET
R-114N-1ET	1.1/4" NPT x 1" ET	46.00	50.60	19.00	27.00	1.1/4" NPT	1" ET
R-114N-114ET	1.1/4" NPT x 1.1/4" ET	46.00	50.60	19.00	27.00	1.1/4" NPT	1.1/4" ET
R-112N-34ET	1.1/2" NPT x 3/4" ET	55.00	60.00	21.00	29.00	1.1/2" NPT	3/4" ET
R-112N-1ET	1.1/2" NPT x 1" ET	55.00	60.00	21.00	29.00	1.1/2" NPT	1" ET
R-112N-114ET	1.1/2" NPT x 1.1/4" ET	55.00	60.00	21.00	29.00	1.1/2" NPT	1.1/4" ET
R-112N-112ET	1.1/2" NPT x 1.1/2" ET	55.00	60.00	21.00	29.00	1.1/2" NPT	1.1/2" ET
R-2N-1ET	2" NPT x 1" ET	70.00	75.00	21.00	29.00	2" NPT	1" ET
R-2N-114ET	2" NPT x 1.1/4" ET	70.00	75.00	21.00	29.00	2" NPT	1.1/4" ET
R-2N-112ET	2" NPT x 1.1/2" ET	70.00	75.00	21.00	29.00	2" NPT	1.1/2" ET
R-2N-2ET	2" NPT x 2" ET	70.00	75.00	21.00	29.00	2" NPT	2" ET
R-212N-1ET	2.1/2" NPT x 1" ET	80.00	85.00	30.00	38.00	2.1/2" NPT	1" ET
R-212N-114ET	2.1/2" NPT x 1.1/4" ET	80.00	85.00	30.00	38.00	2.1/2" NPT	1.1/4" ET
R-212N-112ET	2.1/2" NPT x 1.1/2" ET	80.00	85.00	30.00	38.00	2.1/2" NPT	1.1/2" ET
R-212N-2ET	2.1/2" NPT x 2" ET	80.00	85.00	30.00	38.00	2.1/2" NPT	2" ET
R-212N-212ET	2.1/2" NPT x 2.1/2" ET	80.00	85.00	30.00	38.00	2.1/2" NPT	2.1/2" ET
R-3N-114ET	3" NPT x 1.1/4" ET	95.00	100.00	32.00	40.00	3" NPT	1.1/4" ET
R-3N-112ET	3" NPT x 1.1/2" ET	95.00	100.00	32.00	40.00	3" NPT	1.1/2" ET
R-3N-2ET	3" NPT x 2" ET	95.00	100.00	32.00	40.00	3" NPT	2" ET
R-3N-212ET	3" NPT x 2.1/2" ET	95.00	100.00	32.00	40.00	3" NPT	2.1/2" ET
R-3N-3ET	3" NPT x 3" ET	95.00	100.00	32.00	40.00	3" NPT	3" ET

PRODUCT CODE FOR ORDERING PURPOSE				
Type	Male Thread Size	Female Thread Size	Material	Accessories
R	Metric... e.g. 20...(for M20)	Metric... e.g. 20...(for M20)	Brass-1	Lock Nut-5
	NPT (N)... e.g. 12N...(for 1/2 NPT)	NPT (N)... e.g. 12N...(for 1/2 NPT)	Stainless Steel-2	IP Washer-6
	BSP (G)... e.g. 12G...(for 1/2 BSP)	BSP (G)... e.g. 12G...(for 1/2 BSP)	Nickel Plated-3	
	ET... e.g. 34ET...(for 3/4 ET)	ET... e.g. 34ET...(for 3/4 ET)		

ORDERING INFORMATION	
<b>Code:</b> R-20-16-356 M20(M)×M16(F) Brass Nickel Plated Reducer with Nut & Seal	R =Reducer, 20 =Male Thread Size (M20), 16 =Female Thread Size (M16), 3=with Brass Nickel Plated Material, 5=with Lock Nut, 6=with IP Washer