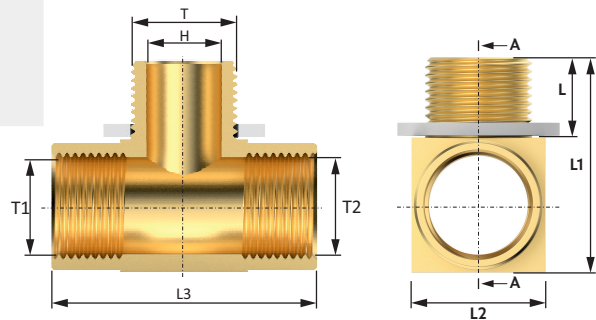
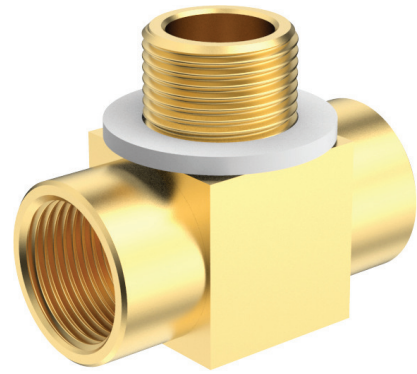


T Adaptor

Size	: 16mm to 32mm & 3/8" to 1"
Standard	: EN IEC 60079-0:2018 EN/IEC 60079-1:2014 EN/IEC 60079-31:2014/2013
Features	: - Provides an opportunity for two entries. - As Standard one male & two female entries. - Supplied with male or female threads on request - Protects cables from unnecessary bending stress. - General purpose / industrial version available - Can be supplied with thread conversion on request
CIMFR Certificate No.	: Coming Soon
PESO Certificate No.	: Coming Soon
Ingress Protection	: IP66, IP67
Code of Protection	: Ex db IIC Gb, Ex eb IIC Gb, Ex tb IIIC Db
Material	: Brass, Nickel Plated Brass, SS & Aluminium
Thread	: Metric, NPT, ET
Operating Temp.	: -60°C to +200°C
Accessories	: Lock Nut, IP Washer



SELECTION CHART

Code	Size	Standard Thread				Optional Thread		Hole Dia. H	Male Thread Length "L"		Height L1	Width L2	Length L3
		Male Thread "T"		Female Thread "T1" & "T2"		Female Thread "T1" & "T2"			Metric	NPT			
		Metric	NPT	Metric	NPT	Metric	NPT						
16CTAD	M16	M16	3/8" NPT	M16	3/8" NPT	M20	1/2" NPT	11.00	15.00	15.00	35.00	20.00	50.00
20CTAD	M20	M20	1/2" NPT	M20	1/2" NPT	M25	3/4" NPT	14.00	15.00	16.00	40.00	25.00	50.00
25CTAD	M25	M25	3/4" NPT	M25	3/4" NPT	M32	1" NPT	20.00	15.00	16.00	46.00	31.00	54.00
32CTAD	M32	M32	1" NPT	M32	1" NPT	M40	1.1/4" NPT	26.00	15.00	19.00	53.00	38.00	60.00

Dimensions are in mm

PRODUCT CODE FOR ORDERING PURPOSE

Size	Material	Male Thread Type "T"	Female Thread Type "T1"	Accessories
20CTAD	Brass -1	Standard Metric-11	Standard Metric-11	Lock Nut -5
	Stainless Steel -2	Standard NPT-12	Standard NPT-12	IP Washer -6
	Nickel Plated -3		Optional Metric-16 Optional NPT-17	

ORDERING INFORMATION

Item Code: 20CTAD31111 56
Code Meaning: M20(M)-M20(F) BNP T Adaptor with Nut & IP washer

20CTAD=Item Code,
3= With Nickel Plated Brass Material, 11=With Standard Metric Thread,
5=Lock Nut, 6=IP Washer